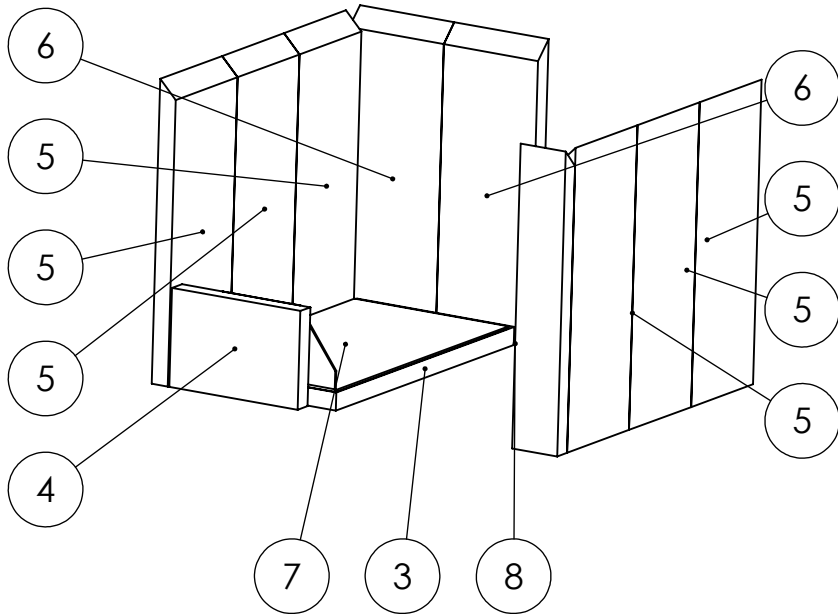
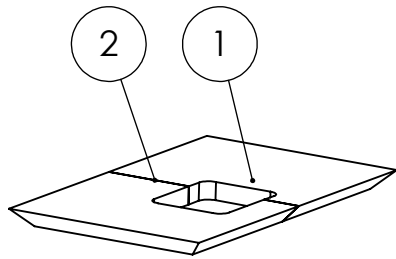



ITEM NO.	PART NUMBER	DESCRIPTION	QTY.
1	WN WD-001B	TOP BACK BRICK	1
2	WN WD-001A		1
3	WN WD-001G	BASE BRICK	1
4	WN WD-001C	FRONT LOWER BRICK	1
5	WN WD-001E	L/H BRICK	6
6	WN WD-001D		2
7	firebox ashplate		1
8	WN WD-001F	FRONT R/H BRICK	1



DRAWN BY: TOMOS ST JOHN	DATE: 20/01/2020
CHECKED BY: ---	DATE: --/--
THIS DRAWING AND THE DESIGN WITHIN ARE THE PROPERTY OF ESSE ENGINEERING	
ALL DIMENSIONS ARE IN MILLIMETERS UNLESS OTHERWISE SPECIFIED	
TOLERANCES - LINEAR: --- - ANGULAR: ---	MATERIAL: ---
THIRD ANGLE PROJECTION DO NOT SCALE DRAWING	FINISH: ---
DEBURR AND REMOVE SHARP EDGES	

REV	BY	DESCRIPTION	DATE
A	--	INITIAL RELEASE	--/--
			
ESSE ENGINEERING OUZLEDALE FOUNDRY LONG ING LANE BARNOLDSWICK LANCASHIRE BB18 6BJ TEL: 01282 818500 WEB: WWW.ESSE.COM			
TITLE:			
DWG NO. firebrick assembly			REVISION A
SHEET 1 OF 1		SCALE: 1:10	A4