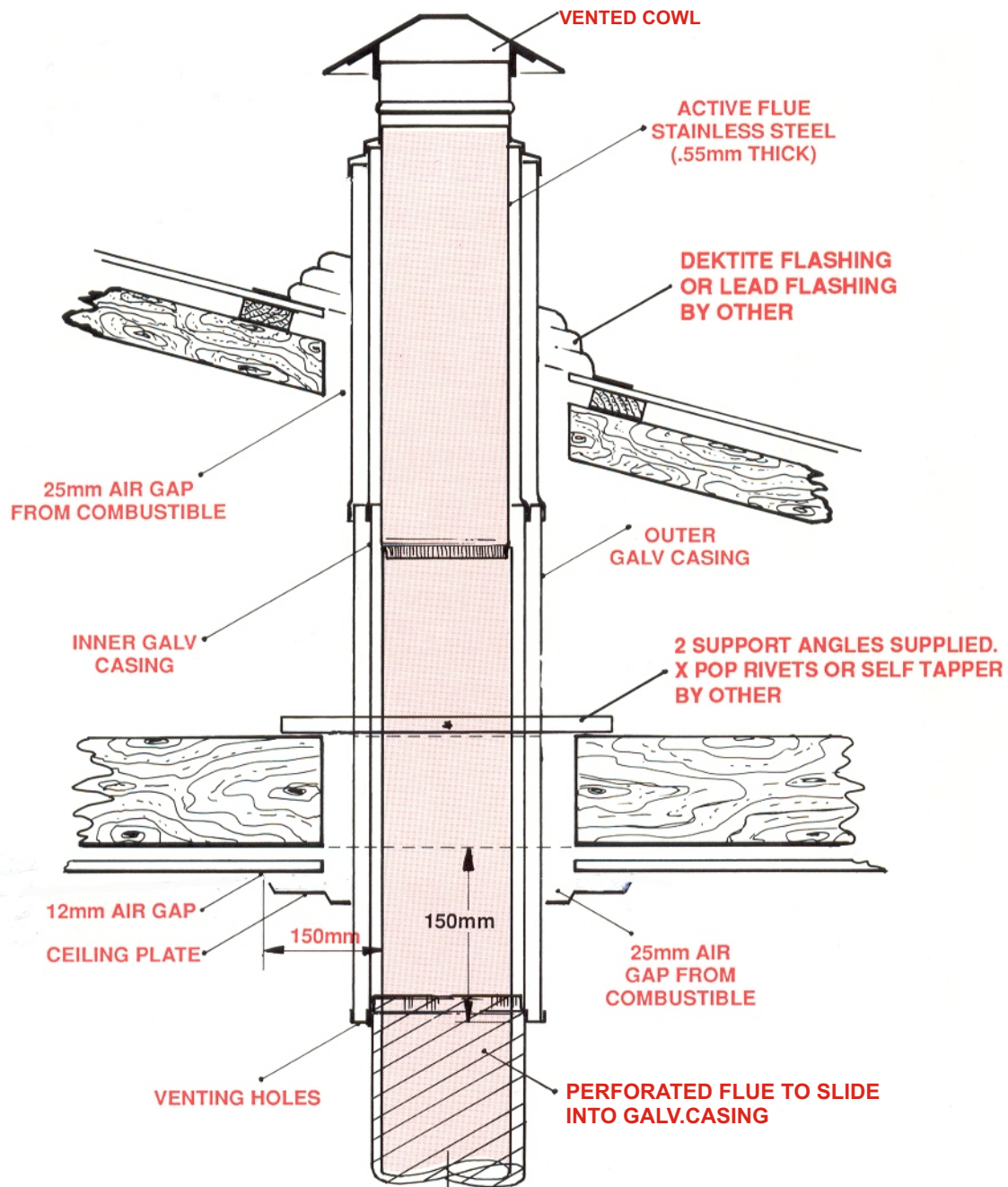


Standard 6" Default Kit



COMPONENTS:-

- 1 x VENTED COWL
- 1 x 10" GAL WITH CAP
- 1 x 10" GAL FLUE
- 2 x 8" GAL FLUE
- 4 x 6" STAINLESS FLUE
- 1 x 8" PERF
- 1 x 8" PERF WITH RING
- 2 x SUPPORT ANGLES
- 1 x CEILING PLATE

NOTE:

- A. Cut correct hole in plaster.
- B. Put ceiling plate in position.
- C. Insert bottom outer galv. Crimped end up in position on joists using angles.
- D. Now proceed to join the outer flues in their positions ensuring all gaps are complied with.
- E. Stainless steel flues crimped end face down.
- F. Galv. Flue crimped end face up.
- G. All stainless steel joints to be pop rivetted or self tapped.

IMPORTANT INFORMATION

1. A permit from your local council must be obtained prior to installing your heater.
2. In most normal installations a triple skin flue should be used where installation is in close proximity to combustible materials, eg. Where the flue kit above the ceiling continues through another storey or if the flue kit is within a cupboard, or similar space, rather than a ceiling, consult your dealer.
3. Correct installation is the responsibility of the person installing the flue kit. NOT the manufacturer of the kit.
4. Regular inspection of your flue for creosote deposit or damage, and cleaning with a flue brush will ensure continuing good surface. The cowl is to be attached with 2 self tapping screws, and can be removed for cleaning.