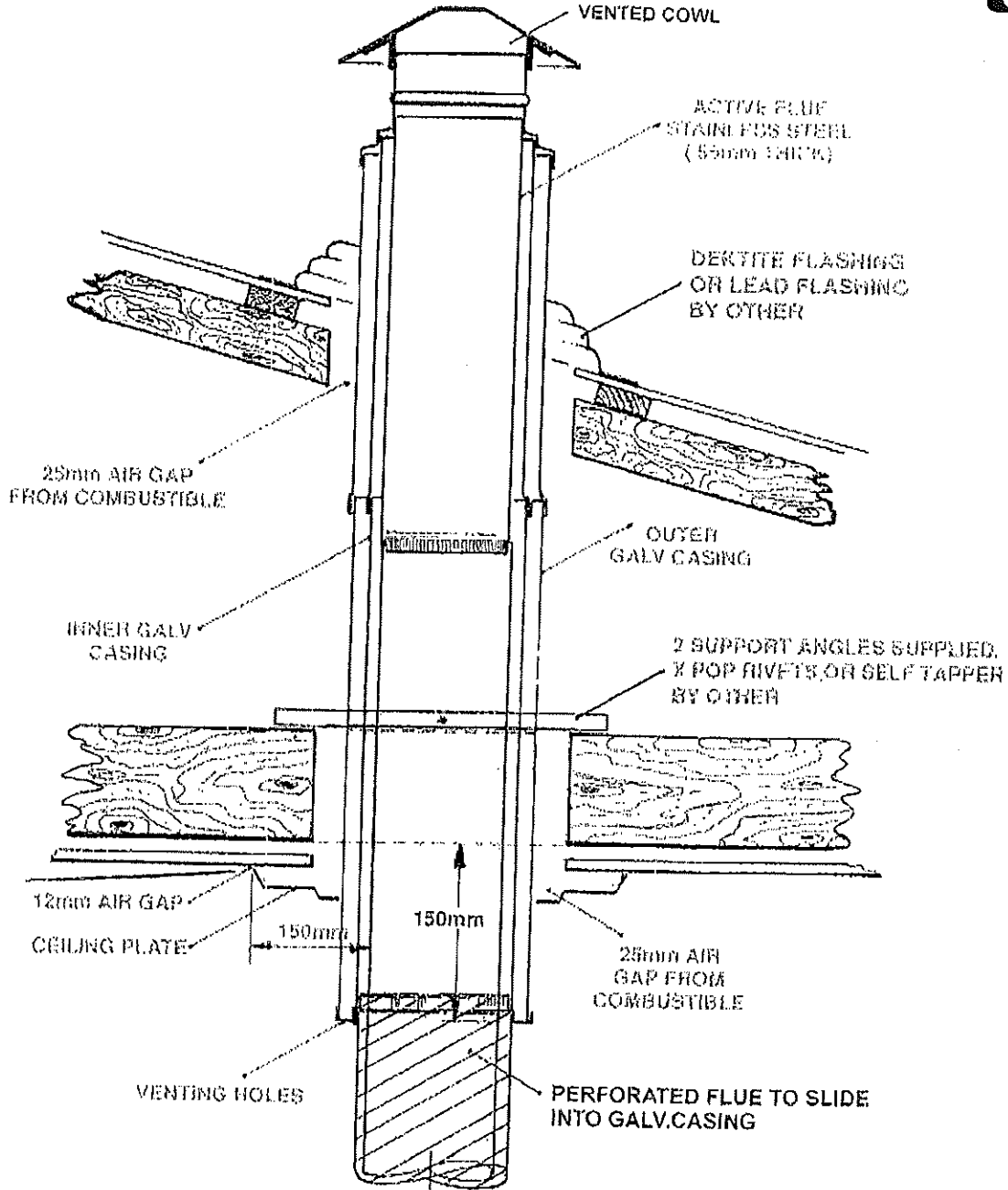


Standard 7" Default Kit

The Flue Factory Pty. Ltd.

(03) 9739 5095



COMPONENTS:-

- 1 x VENTED COWL
- 1 x 11" GAL WITH CAP
- 1 x 11" GAL FLUE
- 1 x 9.25" GAL FLUE
- 1 x 7" STAINLESS FLUE
- 1 x 9" PERF
- 1 x 9" PERF WITH RING
- 1 x SUPPORT ANGLES
- 1 x CEILING PLATE

NOTE:

- A. Cut correct hole in plaster
- B. Fix ceiling plate in position
- C. Installation of air gaps completed and up in position as parts being supplied.
- D. New procedure to join the outer flues in high positions ensuring all gaps are completed with
- E. Stainless steel flue (complete) has been done
- F. Carry this off roof and back up
- G. All stainless steel joints to be pop riveted or self tapper

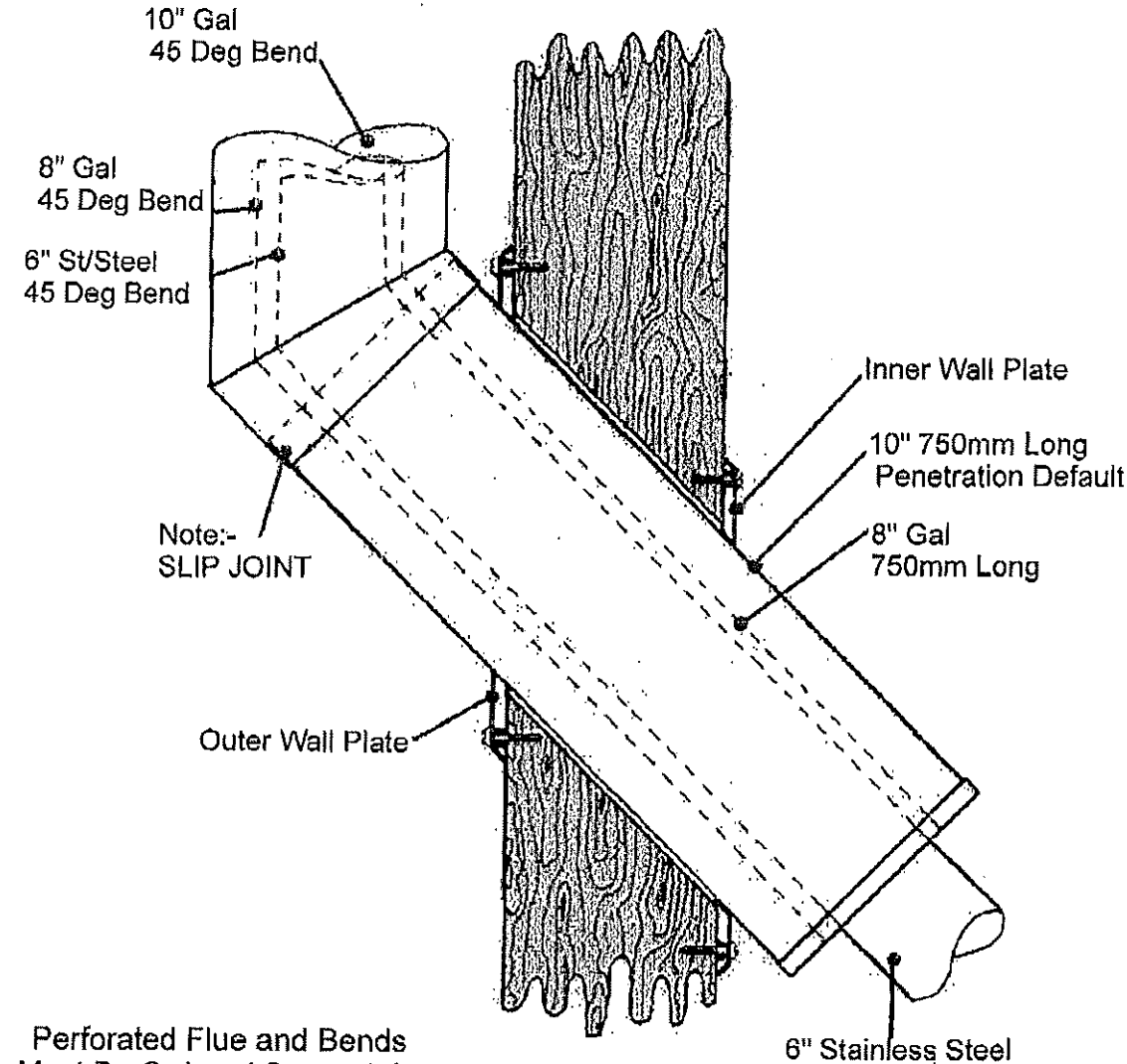
IMPORTANT INFORMATION

1. A permit from your local council must be obtained prior to installing gas flues.
2. In most normal installations a rigid skin flue should be used where installation is in close proximity to combustible materials, eg. when the flue is installed above the ceiling continues through another storey of the building kit when a suspended or finite space other than a ceiling is used. Contact your dealer.
3. Correct installation is the responsibility of the person installing the flue kit. NOT the manufacturer of the kit.
4. Regular inspection of your flue for excessive deposit or damage, and cleaning with a flue brush will ensure continuing good service. The cover is to be attached with 2 self tapping screws, and can be removed for cleaning.

0397395089

The Flue Factory Pty. Ltd.

6" 45 Deg Penetration Kit



Perforated Flue and Bends
Must Be Ordered Separately,
With Colour and Pattern To Be
Specified

IMPORTANT INFORMATION

1. A permit from your local council must be obtained prior to installing your heater.
2. In most normal installations, a triple skin flue should be used where installation is in close proximity to combustible materials, eg. where the flue kit above the ceiling continues through another storey or if the flue kit is within a cupboard or similar space, rather than a ceiling, consult your dealer.
3. Correct installation is the responsibility of the licenced plumber installing the flue kit. **NOT** the manufacturer of the kit.
4. Regular inspection of your flue for creosote deposit or damage, and cleaning with a flue brush will ensure continuing good surface. The cowl is to be attached with 2 self tapping screws, and can be removed for cleaning.
5. A Certificate of Compliance must be issued by the installing plumber for council and insurance purposes.

Note:-
When ordering kit please stipulate whether
the default is to accommodate 6" st/steel or decorative mesh

COMPONENTS:-

- 1 x 750mm PENETRATION DEFAULT
- 1 x 8" GAL 750MM LONG
- 1 x 6" STAINLESS FLUE
- 1 x 6" 45 DEG BEND
- 1 x 8" 45 DEG BEND
- 1 x 10" 45 DEG BEND
- 2 x 45 DEG CEILING PLATE
- 3 x SUPPORT ANGLES

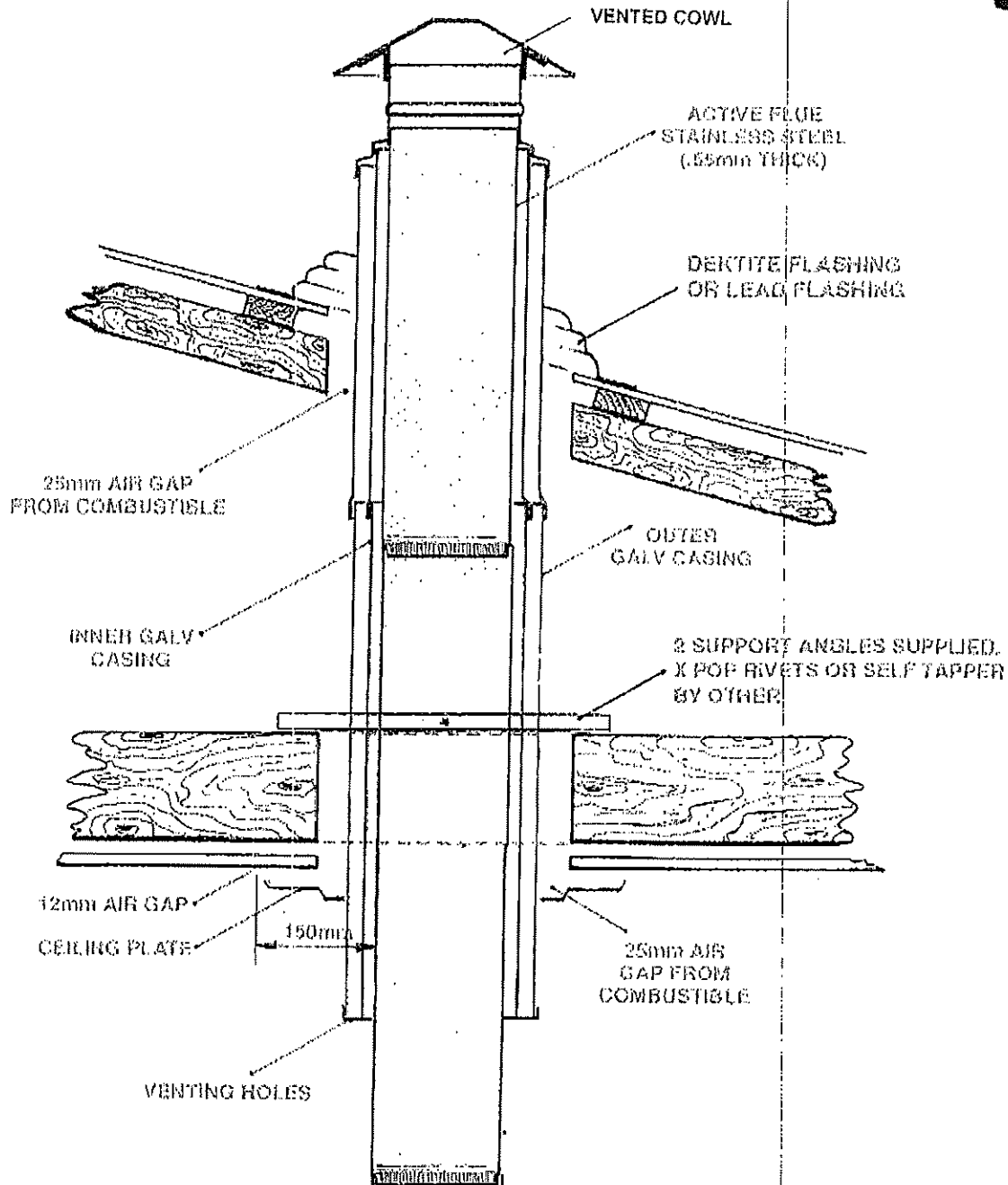
In accordance with AS/NZS 2918:2001

0397395089

**Standard 6"
Default Kit
No Perforated**

The
**Flue
Factory** Pty. Ltd.

(03) 9739 5095



COMPONENTS:-

- 1 x VENTED COWL
- 1 x 10" GAL WITH CAP
- 1 x 10" GAL FLUE
- 2 x 8" GAL FLUE
- 1 x 6" STAINLESS FLUE
- 2 x SUPPORT ANGLES
- 1 x CEILING PLATE

NOTE:

- A. Cut correct hole in plaster
- B. Fit casing plate in position
- C. Join bottom outer galv crimped end up in position up joists using angles
- D. Now proceed to join the outer flues in their positions ensuring all gaps are complied with
- E. Stainless steel flues crimped end face down
- F. Galv flue crimped end face up
- G. All stainless steel joints to be pop riveted or self tapper

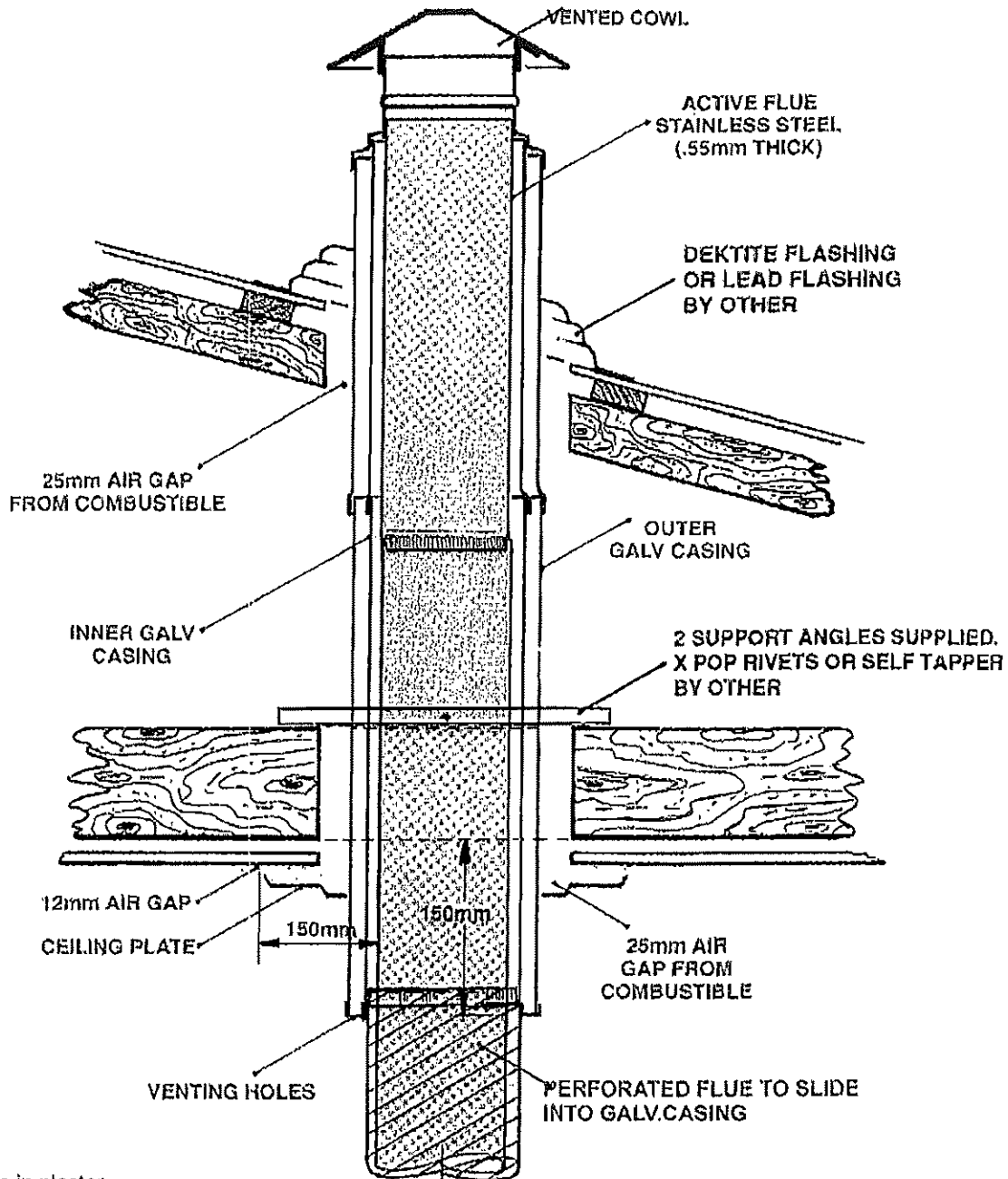
IMPORTANT INFORMATION

1. A permit from your local council must be obtained prior to installing your flue
2. In most normal installations, a triple skin flue should be used, where installation is in close proximity to combustible materials, eg. where the flue kit above the ceiling continues through another story or if the flue kit is within a cupboard or similar space, rather than a ceiling, consult your dealer.
3. Correct installation is the responsibility of the person installing the flue kit. NOT the manufacturer of the kit.
4. Regular inspection of your flue for creosote deposit or damage, and cleaning with a flue brush will ensure continuing good service. The cowl is to be attached with 2 self tapping screws, and can be removed for cleaning.

0397395089

The Flue Factory Pty. Ltd.

6" Default Kit



NOTE:

- A. Cut correct hole in plaster
- B. Put ceiling plate in position
- C. Insert bottom outer galv. crimped end up in position on joists using angles
- D. Now proceed to join the outer Flues in their positions ensuring all gaps tight
- E. Stainless steel flues crimped end face down
- F. Galv. flue crimped end face up
- G. All stainless steel joints to be pop rivetted or self tapped

IMPORTANT INFORMATION

- 1. A permit from your local council must be obtained prior to installing your heater.
- 2. In most normal installations, a triple skin flue should be used where installation is in close proximity to combustible materials, eg. where the flue kit above the ceiling continues through another storey or if the flue kit is within a cupboard or similar space, rather than a ceiling, consult your dealer.
- 3. Correct installation is the responsibility of the licenced plumber installing the flue kit. **NOT** the manufacturer of the kit.
- 4. Regular inspection of your flue for creosote deposit or damage, and cleaning with a flue brush will ensure continuing good surface. The cowl is to be attached with 2 self tapping screws, and can be removed for cleaning.
- 5. A Certificate of Compliance must be issue buy the installing plumber for council and insurance purpose's

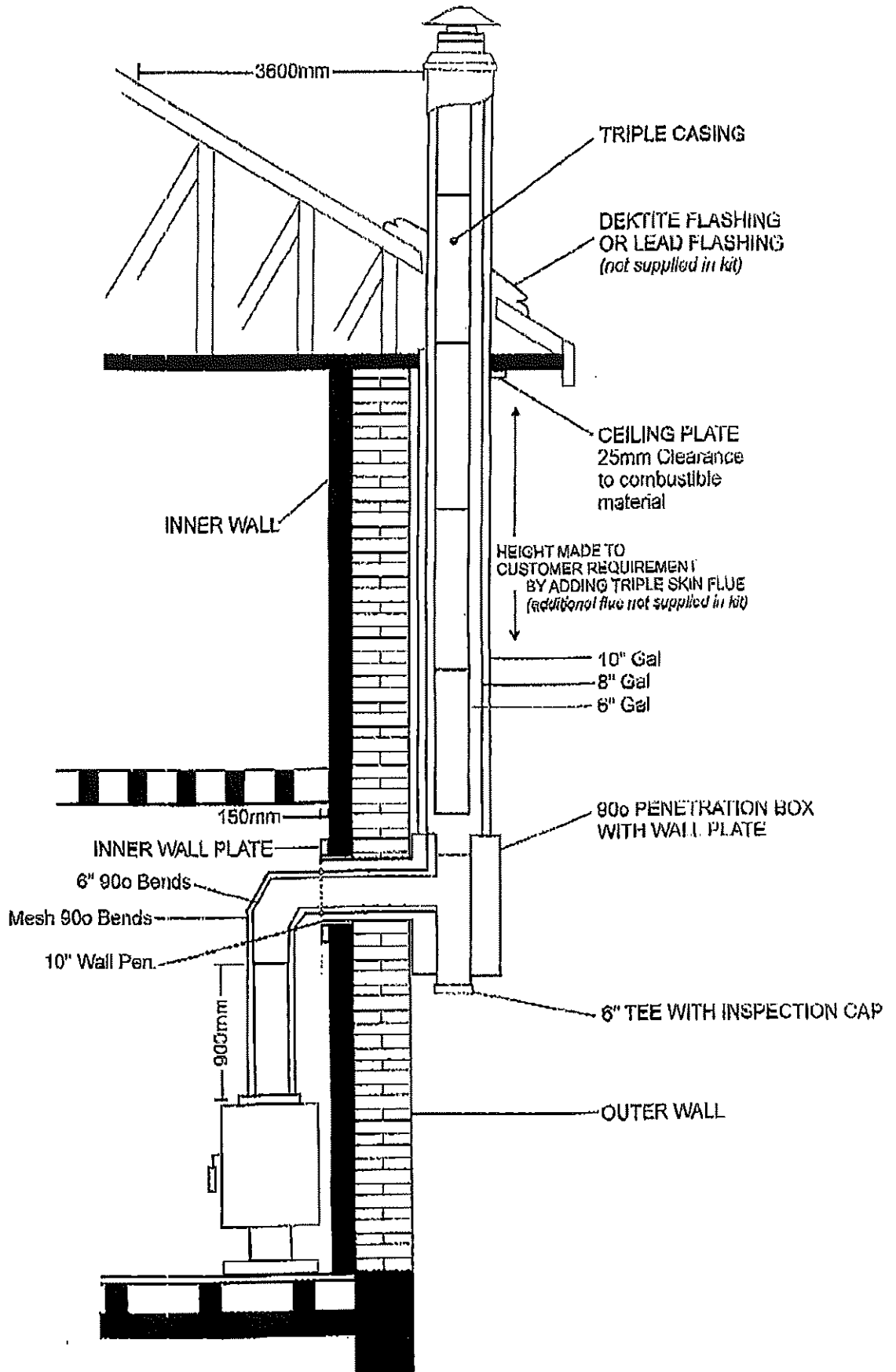
COMPONENTS:-

- 1 x VENTED COWL
- 1 x 10" GAL WITH CAP
- 1 x 10" GAL FLUE
- 2 x 8" GAL FLUE
- 4 x 6" STAINLESS FLUE
- 1 x 8" PERF
- 1 x 8" PERF WITH RING
- 2 x SUPPORT ANGLES
- 1 x CEILING PLATE

In accordance with AS/NZS 2918:2001

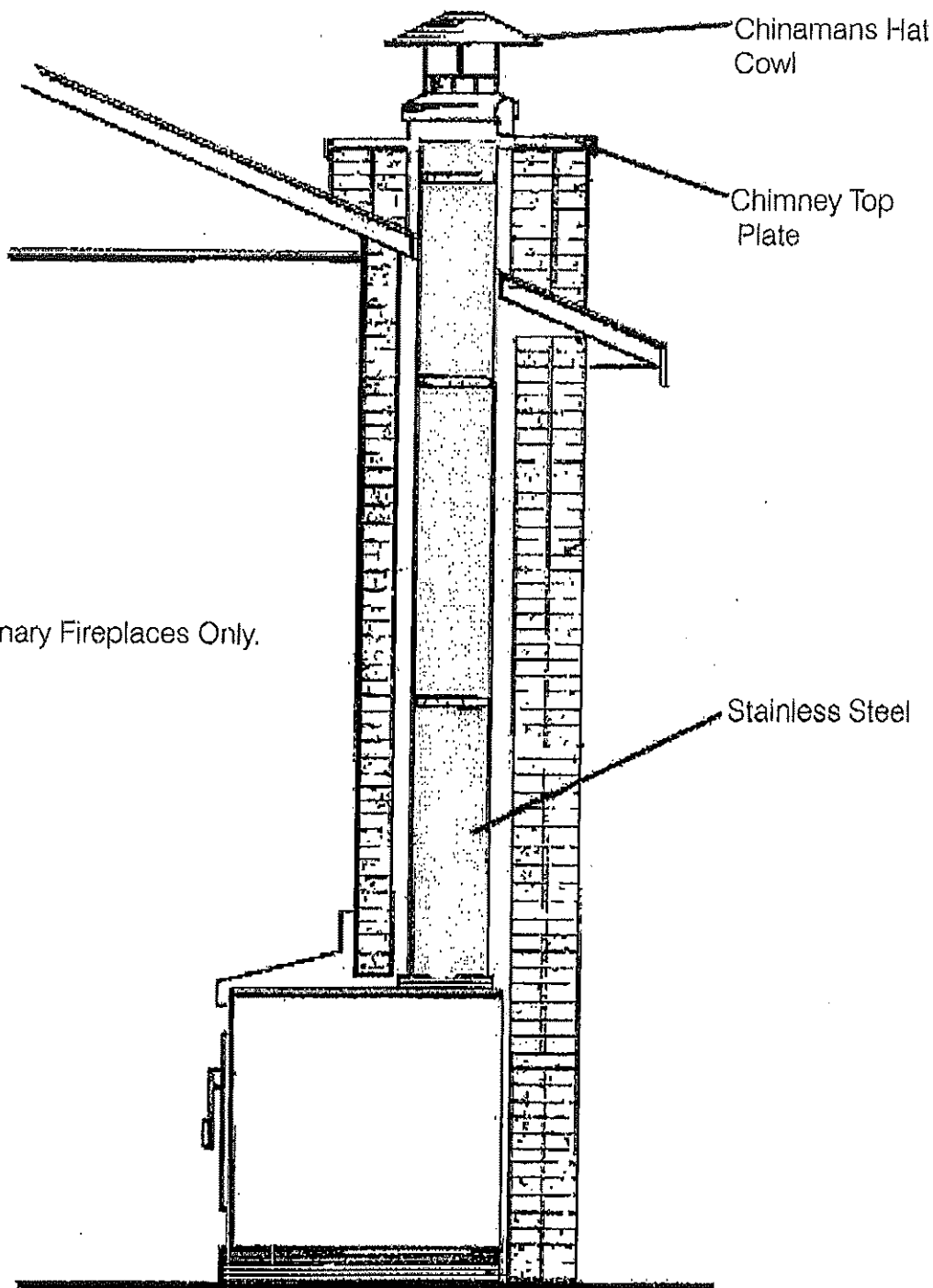
0397395089

90° PENETRATION KIT



0397395089

The Flue Factory Pty. Ltd.



6" Inbuilt Kit

NOTE:-
For Masonry Fireplaces Only.

IMPORTANT INFORMATION

1. A permit from your local council must be obtained prior to installing your heater.
2. In most normal installations, a triple skin flue should be used where installation is in close proximity to combustible materials, eg. where the flue kit above the ceiling continues through another storey or if the flue kit is within a cupboard or similar space, rather than a ceiling, consult your dealer.
3. Correct installation is the responsibility of the licenced plumber installing the flue kit. **NOT** the manufacturer of the kit.
4. Regular inspection of your flue for creosote deposit or damage, and cleaning with a flue brush will ensure continuing good surface. The cowl is to be attached with 2 self tapping screws, and can be removed for cleaning.
5. A Certificate of Compliance must be issued by the installing plumber for council and insurance purposes.

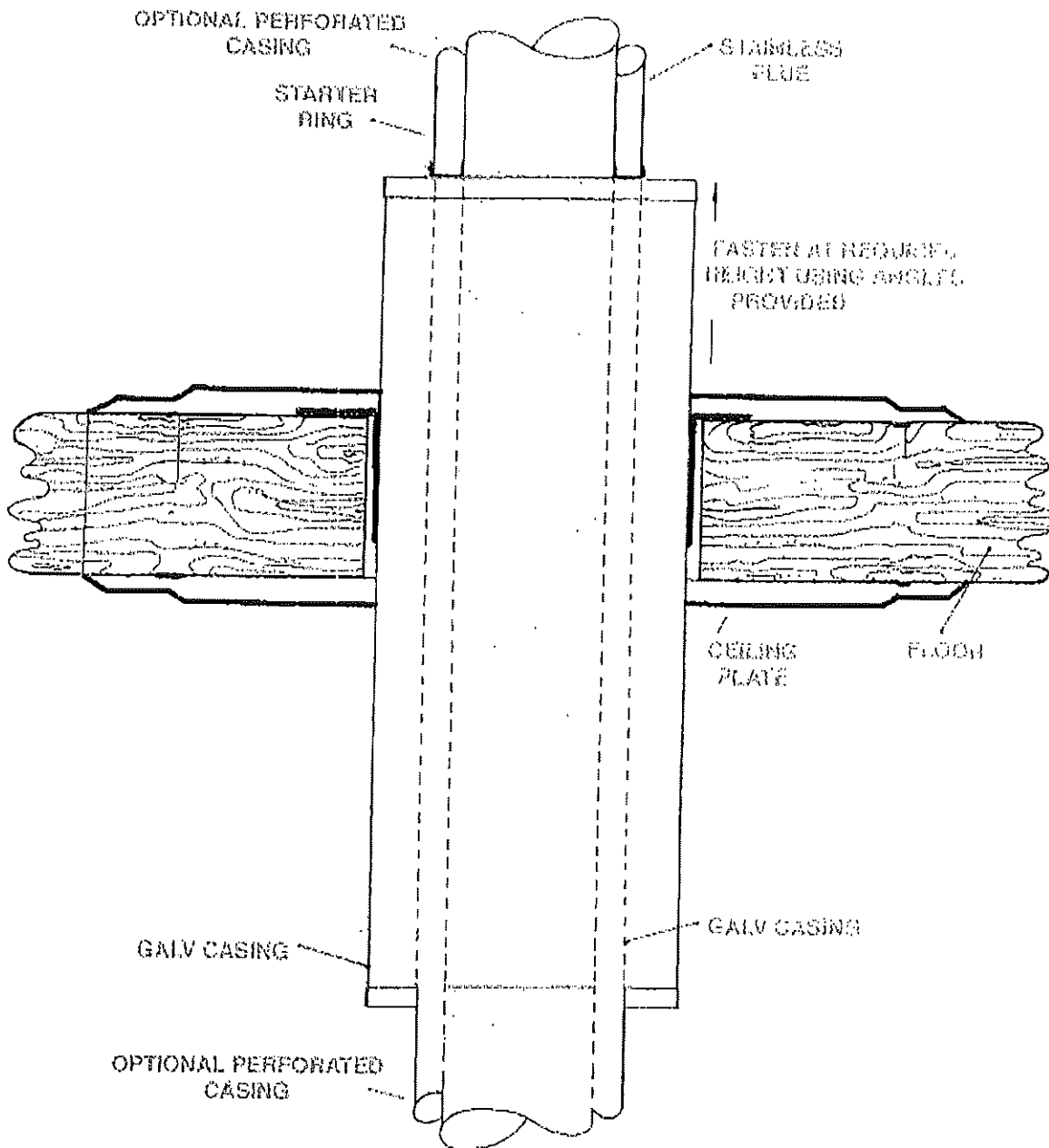
COMPONENTS:-

- 1 x VENTED COWL
- 4 x 6" STAINLESS FLUE
- 1 x CHIMNEY TOP PLATE

0397395089

In accordance with AS/NZS 2918:2001

The Flue Factory Pty. Ltd.



Ceiling To Floor Penetration Kit

Components

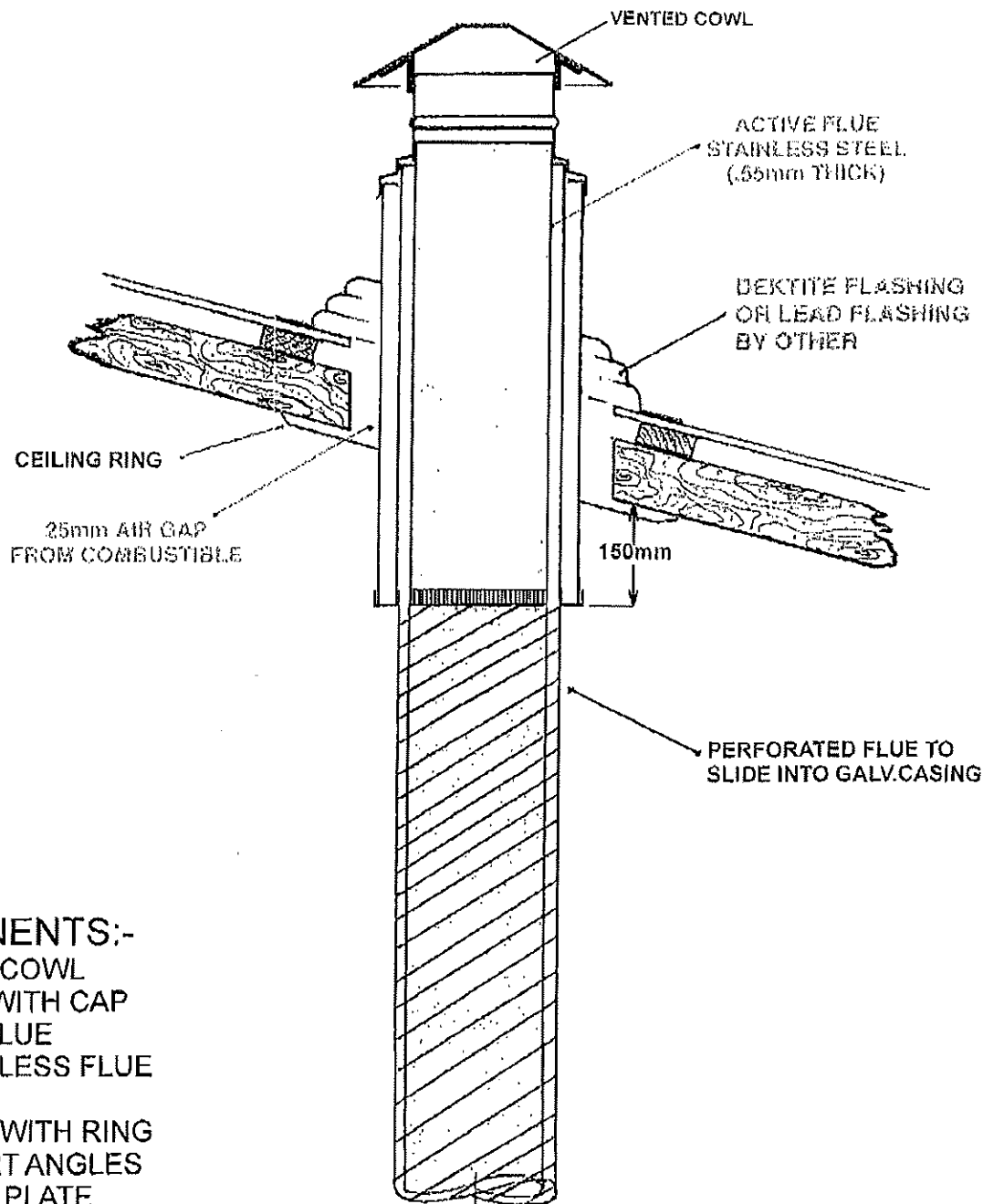
- 1 x 750mm Penetration Box
- 2 x 10" Ceiling Rings
- 1 x 6" St/Steel Flue
- 3 x Angle Brackets

0397395089

Standard 6" Default Cathedral Kit

The Flue Factory Pty. Ltd.

(03) 9739 5095



COMPONENTS:-

- 1x VENTED COWL
- 1x 10" GAL WITH CAP
- 1 x 8" GAL FLUE
- 4 x 6" STAINLESS FLUE
- 2 x 8" PERF
- 1 x 8" PERF WITH RING
- 2 x SUPPORT ANGLES
- 1 x CEILING PLATE

NOTE:

- A. Cut correct hole in plaster
- B. Put ceiling plate in position
- C. Insert bottom water gale crimped and up in position on joints using angles
- D. Now proceed to top the outer flues in their positions ensuring all gaps are compacted with
- E. Stainless steel tubes crimped and face down
- F. Galv. flue crimped and face up
- G. All stainless steel joints to be properly sealed or self tapped

IMPORTANT INFORMATION

1. A permit from your local council must be obtained prior to installing your heater.
2. In most normal installations, a triple skin flue should be used where installation is in close proximity to combustible materials, eg. where the flue is above the casing continues through another storey or if the flue kit is within a cupboard or similar space, rather than a ceiling, consult your dealer.
3. Correct installation is the responsibility of the person installing the flue kit. NOT the manufacturer or the lot.
4. Regular inspection of your flue for creosote deposit or damage, and clearing with a flue brush will ensure continuing good service. The cap can be attached with 2 self tapping screws, and can be removed for clearing.

0397395089

