

RF1800

Decorative Flame Fire

Rinnai

Relax. It's a Rinnai.



Make a statement with this stunning floating flame.

The Rinnai RF1800 incorporates a glass burner that gives the affect of a long floating flame, providing a unique ambience. 1800mm in length, this unit commands attention as a main feature in a living room, entertaining area or restaurant.

Open on one side and glass-lined on the end and back, the fire offers viewing from three sides as standard but with the addition of reflective panels can be installed as a through wall, corner, or enclosed open-fronted fire. The RF1800 is a natural draught fire that uses two twin skin flues off the top of the firebox and can be joined into one single flue or carried through as two separate flues to the cowl. Creating a truly unique focal point, the RF1800 sets the standard in modern style and design

Features and Benefits

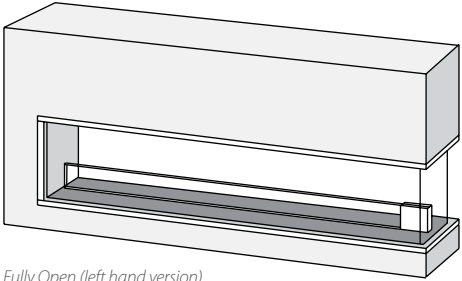
- > Unique flame with glass burner
- > Stainless steel panels throughout the firebox enhance the ambience with a continually dancing flame
- > Variety of installation types to flexibly suit each unique setting
- > Full electronic ignition
- > Operated by a simple wall switch with one single flame setting, optimized for convenience and aesthetics.
- > Available in NG and LPG, conversion between gas types is quick and easy.



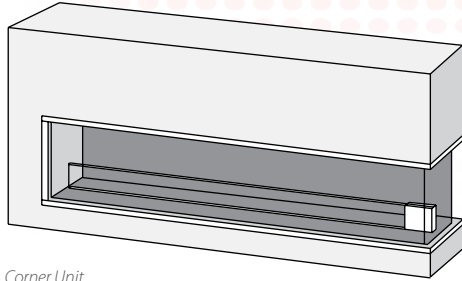
Specifications

	Inbuilt Cavity Dimensions (mm)			Visual Dimensions (mm)			Colour	Gas Input - MJ/h		kW Out-put	Gas Type
	Height	Width	Depth	Height	Width	Depth		Low	High		
RF1800 (Inbuilt)	453	2174	297	210	1825	297	Stainless Steel	N/A	34	N/A	LPG & NG

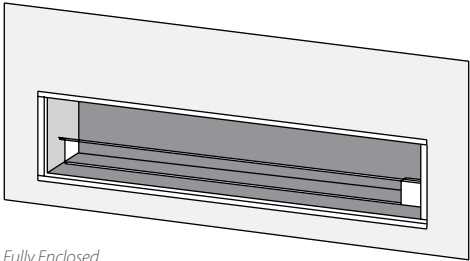
Installation Types



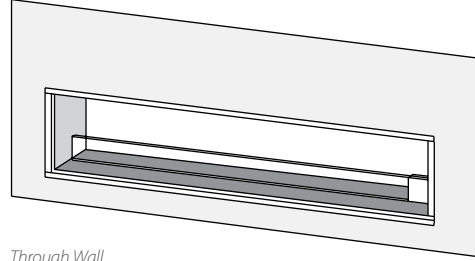
Fully Open (left hand version)



Corner Unit

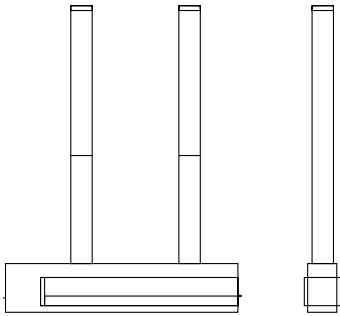


Fully Enclosed

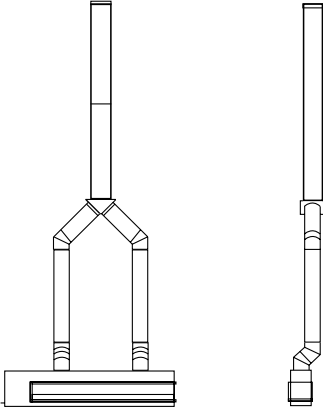


Through Wall

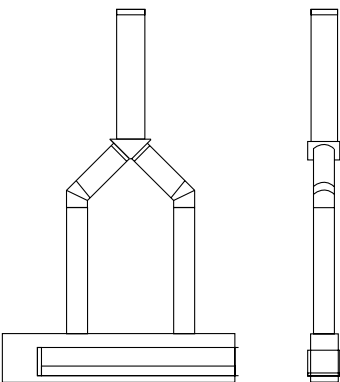
Flueing Options



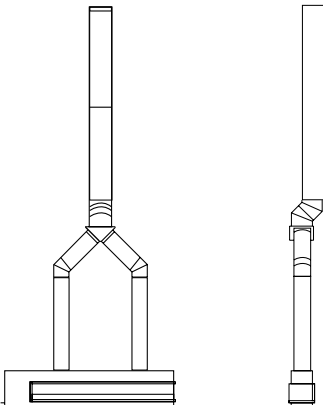
1. Twin Direct



2. Y Piece - Offset



3. Y Piece - Direct



4. Y Piece - Direct Offset

Flueing Type	Flueing Order Components	Order Code
1 Twin Direct	150mm inner/200mm outer – 1200mm length flue	4 x F150200
2 Y Piece – Offset	150mm inner and 200mm outer – 45° bend	2 x B150200
	150mm inner/200mm outer – 1200mm length flue	2 x F150200
	Y Piece	1 x 1800FLUEY
	200mm inner/250mm outer – 1200mm length flue	2 x F200250
3 Y Piece – Direct	200mm inner/250mm outer – 1200mm length flue	2 x F200250
	Y Piece	1 x 1800FLUEY
	250mm inner/300mm outer – 1200mm length flue	1 x F250300
4 Y Piece – Direct Offset	200mm inner/250mm outer – 1200mm length flue	2 x F200250
	Y Piece	1 x 1800FLUEY
	200mm inner/250mm outer – 45° bend	1 x B200250
	250mm inner/300mm outer – 1200mm length flue	2 x F250300

Warranty	Heat Exchanger	Firebox	Gas Burner	Control Parts	Free Labour
Domestic Use	10 years pro rata ⁽¹⁾	16 years	3 years	2 years	1 year
Commercial Use	1 year on all parts and labour				

Please note: For full definitions of Domestic and Commercial use, along with other conditions and exclusions, please refer to www.rinnai.com.au. Rinnai Australia Pty. Ltd. Reserves the right to make modifications and change specifications without notice. We will however endeavour to communicate any major changes well before implementation. (1) Full replacement cost in the 1st year, reducing 10% per year thereafter. 240V power is required on all models. A power cord and plug is fitted. If hardwiring is required, consult a licensed electrician. #Dimensions are subject to production tolerances and may vary slightly from those given. Rinnai Australia Pty Ltd reserves the right to make modification and change specifications without notice. #Refers to the visual appearance of the appliance external to the wall for inbuilt models.

Rinnai Australia Pty Ltd

ABN 74 005 138 769

100 Atlantic Drive,
Keysborough, Victoria 3173

For further information visit

www.rinnai.com.au

or call 1300 555 545

Dealer Details:

Rinnai
Relax. It's a Rinnai.