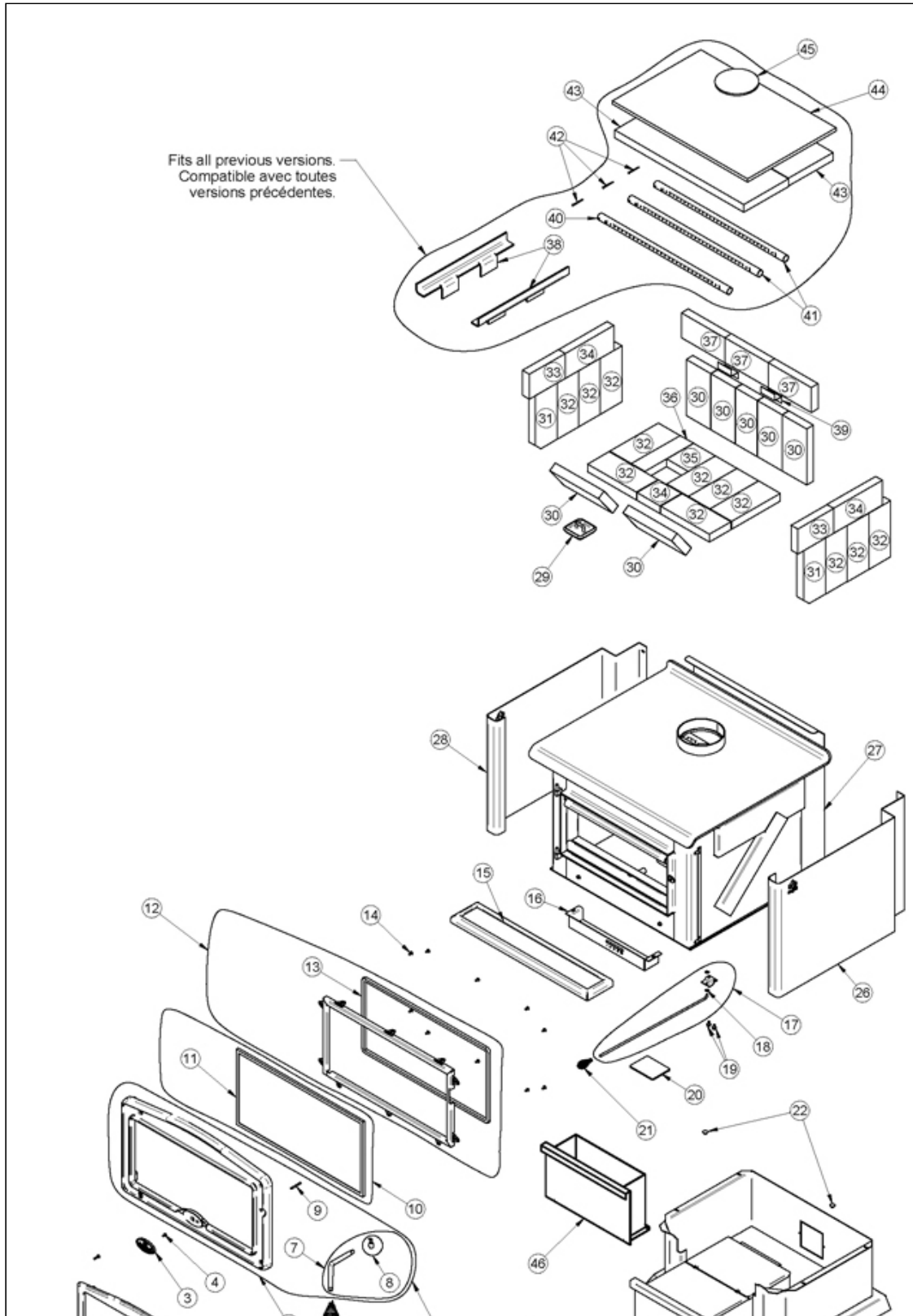


Parts breakdown : OSBURN 2400 WOOD STOVE (2009)





#	Part #	Description	Qty
1	OA10090	BLACK CAST IRON DOOR OVERLAY FOR OSBURN 2400	1
1	OA10091	GOLD CAST IRON DOOR OVERLAY FOR OSBURN 2400	1
1	OA10092	BRUSHED NICKEL CAST IRON DOOR OVERLAY FOR OSBURN 2400	1
2	30123	SCREW #8 - 32 X 5/8" PAN QUADREX ZINC	4
3	30450	OSBURN DOOR LOGO	1
4	30124	SCREW #8 - 32 X 5/16" TRUSS QUADREX ZINC	1
5	SE24134	CAST IRON DOOR WITH HANDLE 2400 SERIE OVERLAY VERSION	1
6	AC07868	1/2 " BLACK COIL HANDLE	1
7	AC09187	HANDLE AND LATCH KIT	1
8	AC09185	DOOR LATCH KIT	1
9	30101	5/32" X 1 1/2" SPRING TENSION PIN	1
10	SE39105-01	REPLACEMENT GLASS WITH GASKET 10 5/16" X 20 1/16"	1
11	AC06400	BLACK SELF-ADHESIVE GLASS GASKET KIT (6')	1
12	SE39102	GLASS RETAINER WITH GASKET INSTALLED	1
13	OA11400	SILICONE & GASKET KIT 3/4" (8 FEET)	1
14	30124	SCREW #8 - 32 X 5/16" TRUSS QUADREX ZINC	10
15	PL39036	ASH SHELF 2400 STOVE	1
16	PL39074	AIR CONTROL COVER	1
17	SE34024	AIR CONTROL ROD ASSEMBLY	1
18	30063	1/4" ID PUSHNUT	2
19	30060	THREAD-CUTTING SCREW 1/4-20 x 1/2" F HEX STEEL SLOT WASHER C102 ZINC	2
20	SE34021	AIR CONTROL PLATE	1
21	AC07866	1/4 " BLACK COIL HANDLE	1
22	30418	FINISHING PLUG 3/8"	2
23	99999	BUILD TO ORDER	1
24	SE39075	ASH DRAWER 2400 FRONT VERSION	1
25	SE45110	INSTRUCTION MANUAL KIT OSBURN 2400 STOVE	1
26	PL39071	LEFT DECORATIVE PANEL 2400 STOVE	1
27	99999	BUILD TO ORDER	1
28	PL39070	RIGHT DECORATIVE PANEL 2400 STOVE	1
29	SE16059	ASH DUMP PLUG	1
30	AC03020	4 1/2" X 9" X 1 1/4" HIGH DENSITY BRICK (MASTER PACK OF 9)	9
31	PL36058	4" X 9" X 1" X 1" REFRACTORY BRICK	2
32	29011	4" X 9" X 1 1/4" REFRACTORY BRICK HD	14
33	PL36014	4" X 6 1/2" X 1 1/4" REFRACTORY BRICK	2
34	PL36048	4" X 4" X 1 1/4" REFRACTORY BRICK	1
35	VP00020	4" X 4 1/2" X 1 1/4" REFRACTORY BRICK	1
36	PL36025	2 1/2" X 8" X 1 1/4" REFRACTORY BRICK	1
37	AC07600	REFRACTORY BRICK 4" X 8" X 1 1/4" (MASTER PACK OF 9)	9
38	PL39013	SIDE BAFFLE SUPPORT 2400 SERIE	2
39	PL39027	REAR BRICK RETAINER	2
40	PL39015	FRONT SECONDARY AIR TUBE	1
41	PL39018	MIDDLE & BACK SECONDARY AIR TUBE	2
42	30068	STAINLESS STEEL COTTER PIN 1/8" X 1 1/2"	3
43	21297	C-CAST BAFFLE 23 7/8" X 8 1/4" X 1 1/4"	2
44	PL39047	BAFFLE INSULATION 16 3/8" X 25" X 1/2"	1
45	PL34026	BAFFLE INSULATION WEIGHT	2

[Return to search](#)