

Kemlan Super Nova



specialists in wood heating





Super Nova Insert with Standard Fascia



Super Nova Insert with Fascia Trim and Richmond Mantel



Super Nova Insert with Cast Iron Fascia and Richmond Mantel



Super Nova Insert with Sandgate Mantel and Stainless Fascia



Before installation

Convert your existing fireplace to the unrivaled efficiency of a Super Nova Insert.

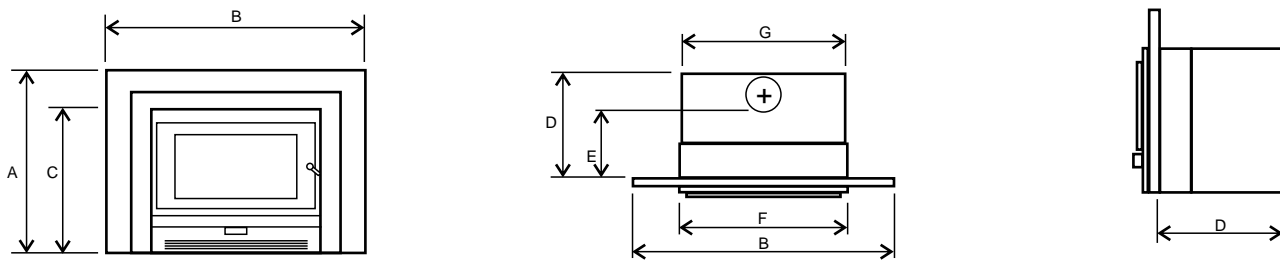
A Super Nova Insert offers the ultimate in versatility with an adjustable depth - as shallow as 300mm and a 45 degree back and flue outlet which allows for various flue positions. Increase the efficiency of your open brick fireplace by five times.



Make your Kemlan Super Nova Insert the centrepiece of your home.

With Kemlan the choices are endless in creating a beautiful centrepiece, all you have to do is fire your imagination. Include a four sided stainless steel or black trim or choose from our range of modern or olde style mantelpieces and fascias. Not only does the Super Nova provide a stunning feature it also offers impressive efficiency of 63% with an average peak output of 14.9kw/hr wood consumption. Kemlan heaters burn safely with the flame behind a strong ceramic glass door. The glass door remains clean throughout the life of the fire by an advanced airwash system designed within the firebox.

Specifications: Super Nova Insert RF - (standard fascia / cast iron fascia)



#A (mm)	#B (mm)	#C (mm)	D (std./c.iron)	E (std./c.iron)	F (mm)	G (mm)	kW**	%eff.	Fuel Consumption*(kg/hr)	Weight
800	1000	640	420 / 470	230 / 280	660	660	14.5	63	2.4kg/hr	128kg

#NOTE - Standard fascia only. Cast iron fascia sizes vary due to design and style. A fan must be installed if a timber mantel is used.
Flue Size - 150mm.

#Average dry fuel (hardwood) consumption rate in kg (hardwood / hour) when heater is used normally and safely. (Test Report No. 96L3480).

** Average peak kilowatt output: Maximum average heat output - 11.3kw (Test Report No. 96L3480).

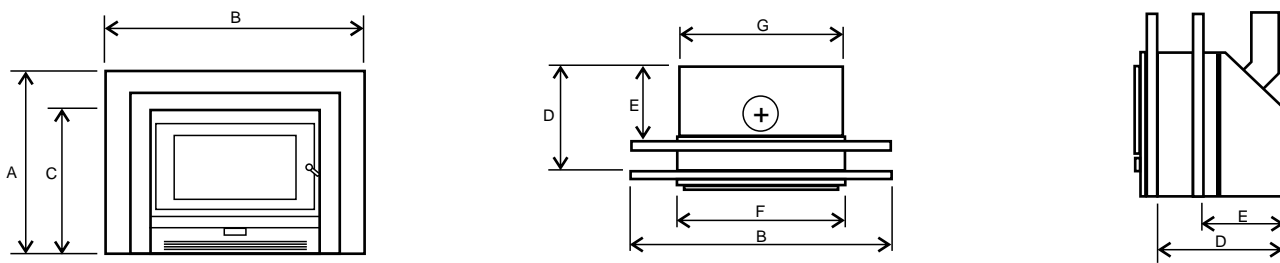
Firebox is designed to be installed into masonry, brickwork or autoclaved aerated concrete (hebel or equivalent). Asper AS/NZS 2918.

Hearth requirements: Thickness to be a minimum of 80mm non- combustible material and must extend 500mm in front and 300mm to each side of the firebox door.

#Note - standard fascia only. Cast iron fascia sizes vary due to design and style. A fan must be installed if a timber mantel is used.

Flue size - 150mm

Specifications: Super Nova Insert (Versatile) - (standard fascia / cast iron fascia).



#A (mm)	#B (mm)	#C (mm)	D (std./c.iron)	E (std./c.iron)	F (mm)	G (mm)	kW**	%eff.	Fuel Consumption*(kg/hr)	Weight
735	900	595	455	285	660	625	11.9	62	1.6kg/hr	120kg

#Average dry fuel (hardwood) consumption rate in kg (hardwood / hour) when heater is used normally and safely. (Test Report No. 96L3480).

** Average peak kilowatt output: Maximum average heat output - 8.5kw (Test Report No. 96L3480).

Firebox is designed to be installed into masonry, brickwork or autoclaved aerated concrete (hebel or equivalent). Asper AS/NZS 2918.

Hearth requirements: Thickness to be a minimum of 80mm non- combustible material and must extend 500mm in front and 300mm to each side of the firebox door.

#Note - standard fascia only, custom made fascias can be designed to suit most fireplace openings. Cast iron fascia sizes vary due to design and style. A fan must be installed if a timber mantel is used.

Flue size - 150mm

Heat output is dependant on hardwood type, moisture content of hardwood, size of hardwood and loading. All information on heat output and heating capacities are given as a guide only. Due to continuing research and development specifications may change without notice.

PIVOT GEELONG
234-238 Moorabool St
Geelong VIC 3220
Ph. 03 5221 4485
Fax. 03 5221 6580

PIVOT *STOVE & HEATING*
HEATING SPECIALISTS SINCE 1876
1300 HEATER (1300 432 837)
www.pivotstove.com.au

PIVOT MELBOURNE
1/10 South Link
Dandenong Sth VIC 3175
Ph. 03 8787 5482
Fax: 03 8787 5434