

Framing Guide

Cavity Height 1,020 mm

Cavity Width 1,080 mm

Cavity Depth 620 mm

If raising of the floor, Recommended height off the floor 300mm

Floor Protection

18mm thick fireproof Board

- Needs to extend under the Zero Clearance Box

- Hearth to extend 500mm in front of the heater

Recommended size of Bellis Board

1,075mm deep x 900mm wide

Finished Surface

Extending 300mm above the heater, a non-combustible material is to be used

Power

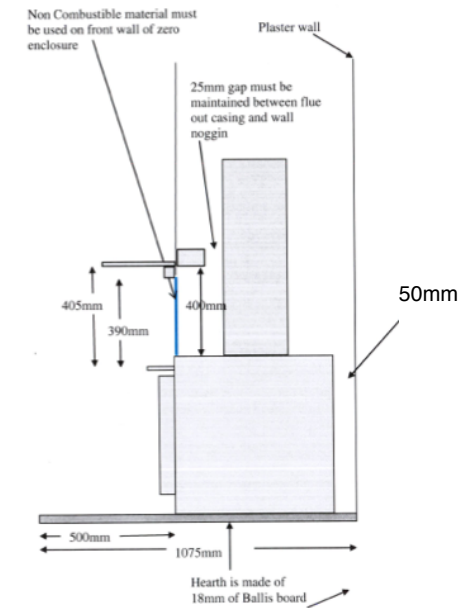
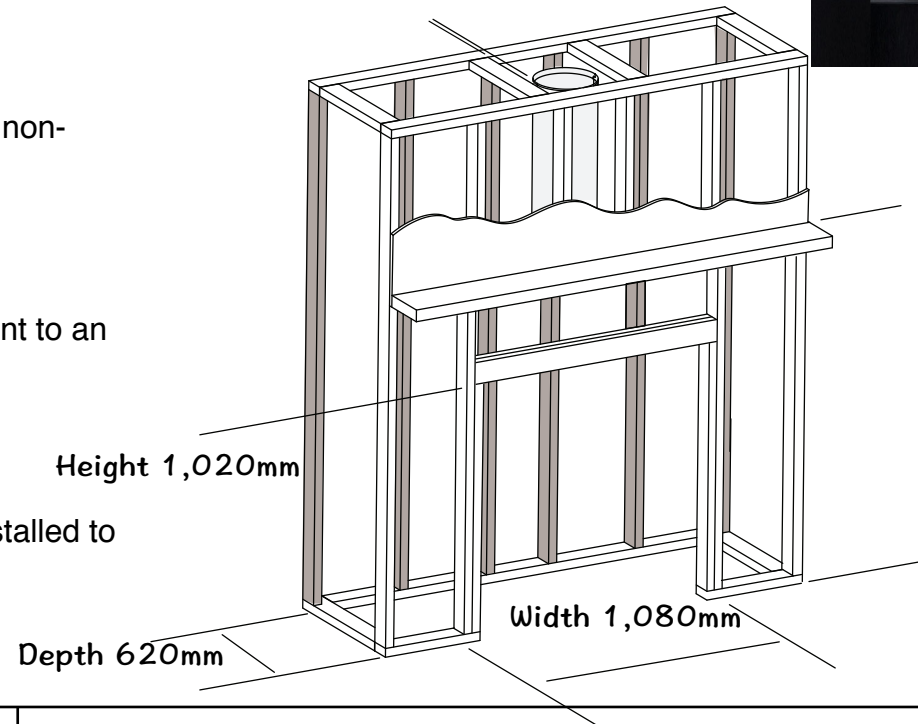
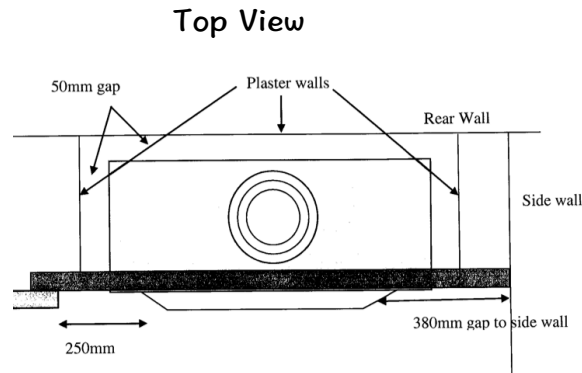
Inside the frame out, a 240V power point to an external isolation switch is required

Flue

A min of 3.6Mtr triple Skin Flue Kit - installed to

AS 4013

Neo 1.6 & Neo 2.5 Zero Clearance Installation Cheat Sheet



Zero Clearance Installation Cheat Sheet

For Pacific Energy Neo 1.6 & Neo 2.5

Available through

pivotstove.com.au

Pivot Stove & Heating

1300 474 686

Refer to manual for full specifications



FIREPLACES & STOVES