

Instruction Manual For MORSO 1600

Distributed in Australia by:

**CASTWORKS
8 ROOSEVELT ST
NORTH COBURG
VICTORIA 3058**

Ph. (03) 9354 4666

Fax (03) 9354 9971

www.castworks.com.au

SUPPLEMENT TO INSTALLATION / OPERATING INSTRUCTIONS

INSTALLATION CLEARANCES AND FLOOR PROTECTOR (HEARTH) REQUIREMENTS:

***REFER TO ATTACHED AS 2918 CONFORMANCE INFORMATION –
DISREGARD ANY CONTRADICTIONARY INFORMATION IN
INSTRUCTION MANUAL.***

N.B. FOR MORSO MODELS 1410,2110,2140 & 1600
SUPPLEMENTARY HEAT SHIELD MUST BE FITTED TO REAR OF
APPLIANCE TO MEET STATED CLEARANCES.

FUEL TYPE:

***REFER TO COMPLIANCE LABEL – DISREGARD ANY CONTRADICTIONARY FUEL TYPE
INFORMATION IN INSTRUCTION MANUAL***

**WARNING: THE APPLIANCE & FLUE SYSTEM SHALL BE INSTALLED IN ACCORDANCE
WITH AS/NZS 2918 AND THE APPROPRIATE REQUIREMENTS OF THE RELEVANT
BUILDING CODE OR CODES.**

**WARNING: APPLIANCES INSTALLED IN ACCORDANCE WITH THIS STANDARD SHALL
COMPLY WITH THE REQUIREMENTS OF AS/NZS 4013 WHERE REQUIRED BY THE
REGULATORY AUTHORITY, I.E. THE APPLIANCE SHALL BE IDENTIFIABLE BY A
COMPLIANCE PLATE WITH THE MARKING “TESTED TO AS/NZS 4013”.**

**ANY MODIFICATION OF THE APPLIANCE THAT HAS NOT BEEN APPROVED IN WRITING
BY THE TESTING AUTHORITY IS CONSIDERED TO BE IN BREACH OF THE APPROVAL
GRANTED FOR COMPLIANCE WITH AS/NZS 4013.**

**CAUTION: MIXING OF APPLIANCE OR FLUE SYSTEM COMPONENTS FROM DIFFERENT
SOURCES OR MODIFYING THE DIMENSIONAL SPECIFICATION OF COMPONENTS MAY
RESULT IN HAZARDOUS CONDITIONS. WHERE SUCH ACTION IS CONSIDERED, THE
MANUFACTURER SHOULD BE CONSULTED IN THE FIRST INSTANCE.**

**CAUTION: CRACKED AND BROKEN COMPONENTS, e.g. GLASS PANELS OR CERAMIC
TILES, MAY RENDER THE INSTALLATION UNSAFE.**

Installation clearances as tested to AS2918:1999

For more information about Morso products see the specifications below or contact your local agent.

	Height	Width	Depth	Weight	Flue size	Area heated
1410	700 mm	390 mm	370 mm	70 kg	112.5 mm	8-10 sq
1440	715 mm	435 mm	395 mm	85 kg	112.5 mm	8-10 sq
1600	795 mm	670 mm	460 mm	135 kg	152 mm	20 sq
2110	710 mm	605 mm	430 mm	110 kg	152 mm	12-15 sq
2140	815 mm	605 mm	430 mm	120 kg	152 mm	12-15 sq
3610	800 mm	750 mm	645 mm	230 kg	152 mm	25 sq

All models have been tested and comply to relevant Australian standards

All models have the option of top or rear flue exit.

Clearances to combustible surfaces with shielded flue and rear heater shield fitted:

	REAR	SIDE	CORNER	HEARTH (floor protector) THICKNESS (min)
1410	150 mm	600 mm	600mm	6 mm
1440	150mm	350mm	150mm	3.5 mm
1600	225mm	650mm	650mm	24 mm
2110	150mm	650mm	650mm	12 mm
2140	175mm	350mm	150mm	3.5 mm
3610	275mm	450mm	300mm	4.5 mm

- An Australian standard flue kit to AS2918 fitted with flue shield is required to obtain the specified clearances.
- Hearth (floor protector) must extend 300 mm in front of and 200 mm each side of firebox opening.
- In the interest of product development, Morso reserves the right to change product specifications without notice.

MAINTENANCE

At the proper heating output almost no soot is deposited onto the glass in the furnace door. Cleaning the glass is easy by means of treble ammonia water or brown soap.

Inspect the stove frequently for excessive soot build-up. Heavy soot build-up reduces the chimney draught and increases the risk of a chimney fire.

The surface of the stove is senotherm painted. The surface will be kept well if vacuum-cleaned with a soft nozzle. The painted surface may in the course of time get a greytone; but the stove can easily be freshened up with a special heatresisting senotherm spray-paint, which can be bought from your Morsø dealer.

The parts which are in immediate contact with the fire, cleaning door (1) baffle plates (2 and 3), and front grate (4) will be especially liable to be burned through, the more superheating occurs. These parts however are easily replaceable.

GOOD ADVICE – if the stove smokes or does not heat – check the following:

If the stove smokes or burns poorly, the cause is usually a reduced chimney draught.

1. If the stove is cold it might help to ignite some crumpled paper in the cleaning door of the chimney before establishing a fire in the stove.
2. The chimney and/or the stove pipe may be obstructed.
3. If more than one fireplace or fuelstove is connected to the same chimney, the two connections must be displaced by at least 25 cm in the vertical direction.
4. All leaks in the chimney reduce the draught. Check the following: 1. that there are no leaks in the stove pipe, 2. that there are no leaks in the chimney itself, e.g. in the joints or by the cleaning door, – that there are no unused (not airtight) fireplaces or fuelstoves connected to the chimney.
5. The chimney may be too low. The chimney has to be built according to the local building code, which in most cases requires that the top of the chimney is at least 80 cm above the ridge of the roof. In any case, the chimney must be high enough so that satisfactory draught conditions are obtained and that smoke disadvantages do not arise.
6. Large trees, neighbouring buildings, hills and other landscape conditions may cause down-draught in the chimney.

Installation Instructions and Directions for Use for

morsø

STOVE 1600

We congratulate you on your choice of a Morsø stove. Morsø has been producing some of the world's best stoves since 1853. If you follow this installation- and operating instruction carefully, we can assure you many years of warmth and pleasure.

INSTALLATION

1. The stove must be installed according to the rules of the local building code, e.g. regarding distance to combustible material and extent of the uncombustible underlay. It is advisable to consult the local chimney sweep for advice on installation. Be especially aware that connections of fuel stoves to existing chimneys must be according to the local building code.
2. After unpacking, lay the backside of the stove upon the packing material so that the surface is not scratched. Mount the legs to the stove with the enclosed bolts M10x25.
3. In the factory the stove is mounted for rear connection to the chimney. The detachable cover plate (9) lies upon the top of the stove and serves as a hot plate. When cleaning the stove, it is recommended to remove this plate to provide easy access to the fire box. If a top smoke outlet is required, remove the flue (10) from the back plate and fasten it to the top plate. The cover plate (9) should now be attached to the back plate. In order to assure sufficient draught, the horizontal run of the stove pipe should be as short as possible and preferably rise a few millimetres from the stove to the chimney.
The stove pipe/chimney connection should be sealed with the enclosed fireproof seal.
4. Ensure that the baffle plate (2+3) and access door (1) are mounted correctly (see sectional drawing).
5. The outer surface of the stove is susceptible to corrosion by acid. Therefore, cover the stove whenever acid is used in washing the surrounding masonry.

WARNING

The initial fire should be small in order to properly cure the cast iron parts. Allow the stove to warm up before creating a very hot fire (produced from burning extremely volatile substances).

Never allow the stove to become superheated. Superheating may damage the castings, fire bricks, and the enamel finish. Superheating is when any part of the stove or stove pipe assumes a red glow.

OPERATING INSTRUCTIONS

The MORSO 1600 has a built-in front grate (4) and primary (7) and secondary (8) air inlet.

SATISFACTORY OPERATION RELIES UPON TWO FEATURES

1. The stove must be correctly sited and connected to a flue.
2. The flue must be properly constructed and suitable to operate the stove.

HEATING WITH WOOD

Begin the fire by first placing paper and kindling on the grate and igniting it, as the kindling burns add larger logs to the fire. Open the primary air inlet to the fully open position and give the secondary air inlet four revolutions, then close the furnace door. When the fuel has ignited, reduce the primary air inlet till just enough air is supplied to keep the fire burning with flames and the stove at the desired temperature. The primary air inlet controls the fire best between the fully closed position and being open a couple of revolutions, but that depends largely on the atmospheric conditions as well as the chimney design.

The secondary air inlet should be opened enough to keep the flames burning brightly and help keep the glass clean. Normally not more than four revolutions are required.

Regulating the heat output is partly done by the amount of wood added to the fire.

Each time wood is added to the fire, extra primary air is required in order to reach ignition temperature as fast as possible. Just filling the stove without adding extra air produces high levels of soot and tar, making it necessary to sweep the chimney and stove pipe more often than if the above procedure is followed.

When burning wood at slow rates, it is recommended to burn a hot fire at least once a day in order to burn some of the soot and tar away.

When there is nothing left but live coals in the ashes, the air inlets can be closed or almost closed. Now the coals can keep glowing for several hours, after which starting up again is easily done by placing smaller pieces of dry wood on the glows and opening the air inlets.

Although the Morso stove will operate in virtually any wood, it is best to avoid wet or green (unseasoned) wood. Firewood should be seasoned for at least one year and preferably for two years. Both coniferous and deciduous wood can be burned.

Avoid using wood that has been exposed to salt water (driftwood, fish boxes, etc.) as the salt is very corrosive and reduces the life of the stove and the chimney.

THE ASHES

Only about 1 percent of the wood is ash. Therefore ash removal is not necessary very often.

When removing the ashes always leave a layer of about 2 cm in the bottom of the fire chamber.

Ashes should be placed in a metal container with a lid.

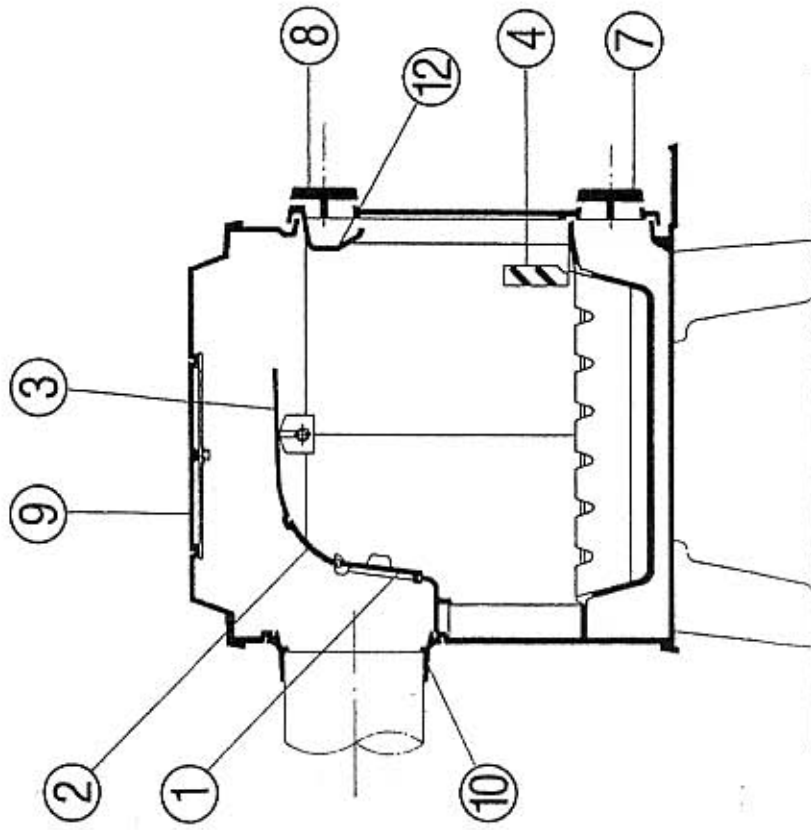
It is preferable to remove the ashes when the stove is cold because the hot ashes tend to spread all over.

CREOSOTE

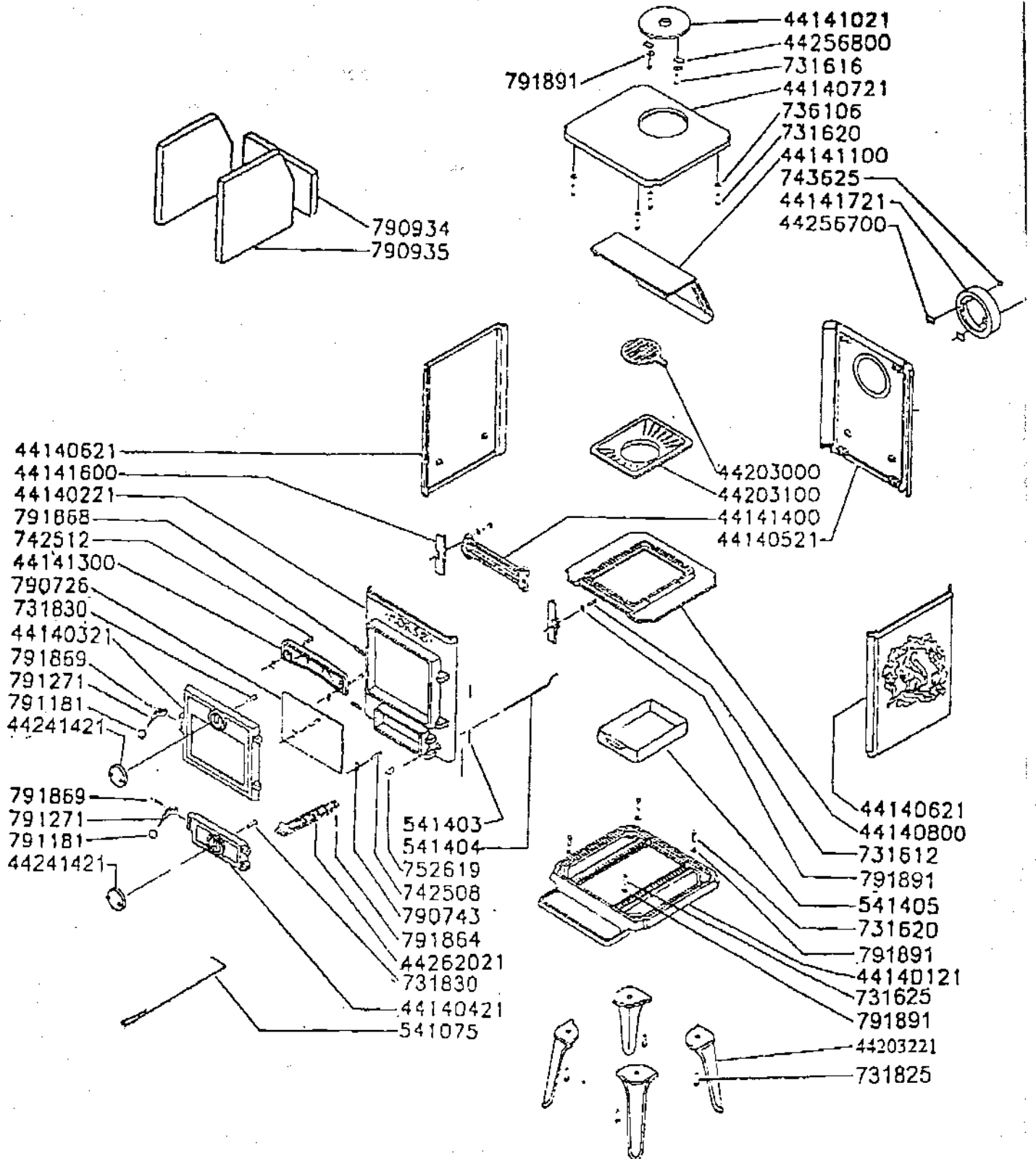
When wood is burned slowly (and wood with a too large moisture content) it produces tar and other organic vapors which combine with expelled moisture to form creosote. When burned, creosote makes an extremely hot fire.

The chimney connector and chimney should be inspected at least twice monthly during the heating season to determine if a creosote build-up has occurred.

If creosote has accumulated, it should be removed to reduce the risk of a chimney fire.



1410 AUS - 64141221

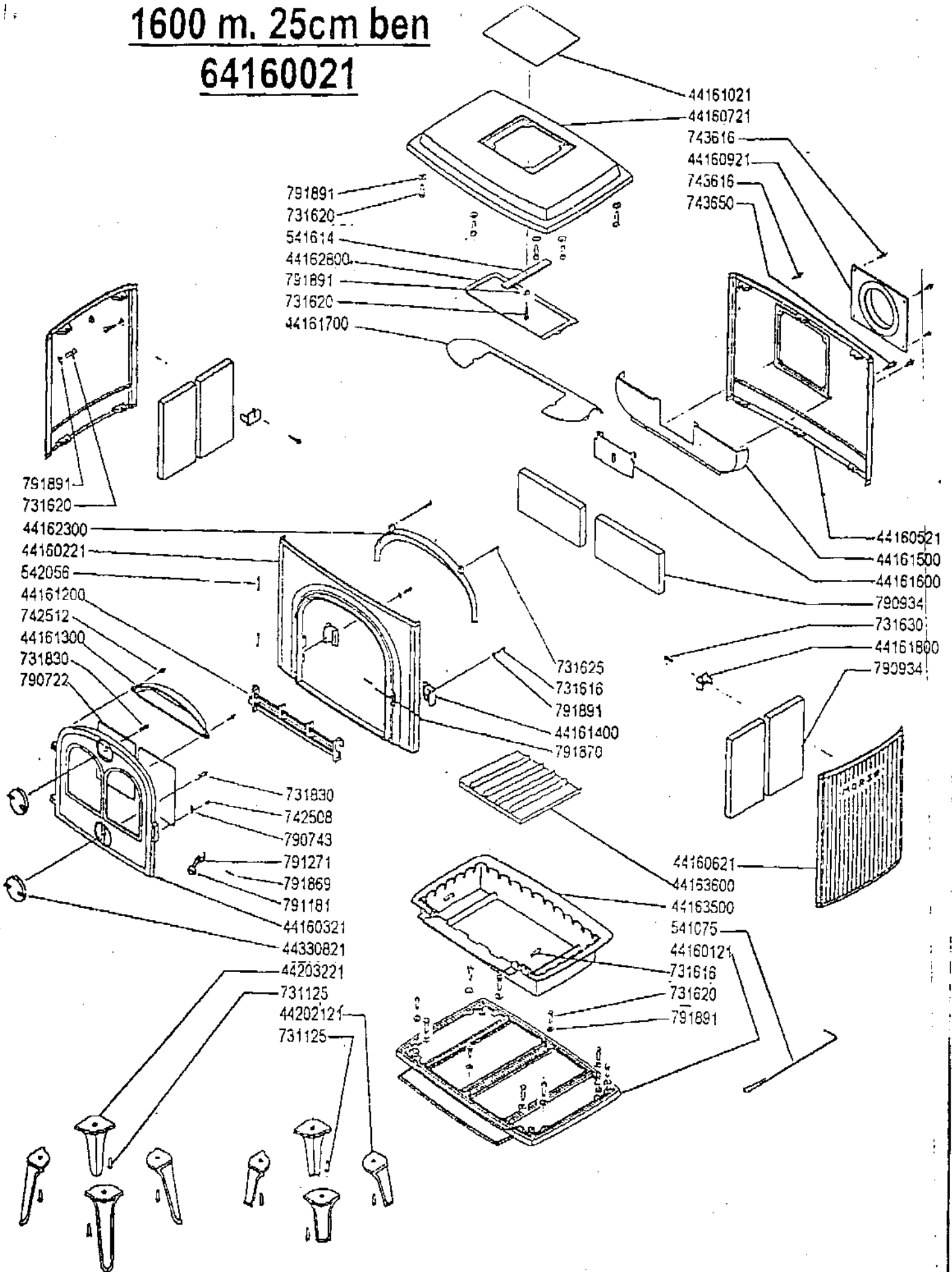


- Fyrdør - komplet541421
- Fire door - complete
- Askedør - komplet.....541422
- Ash door - complete
- Topplade - komplet.....541436
- Top plate - complete
- Rystehåndtag - komplet.....542625
- Riddling arm - complete
- Kulindsats - komplet64148000
- Coal set with shovel

Rev.	Revision	Sign.	Dato	Titel:	Sign:	Dato:
				1410 AUS	KDU	23.04.9
				Filnavn:	Tagningnum:	Wolffmo
					A4	-
					Varianummer:	64141221
					Tagningnummer:	1400-530 a
				morsø		

1600 m. 25cm ben

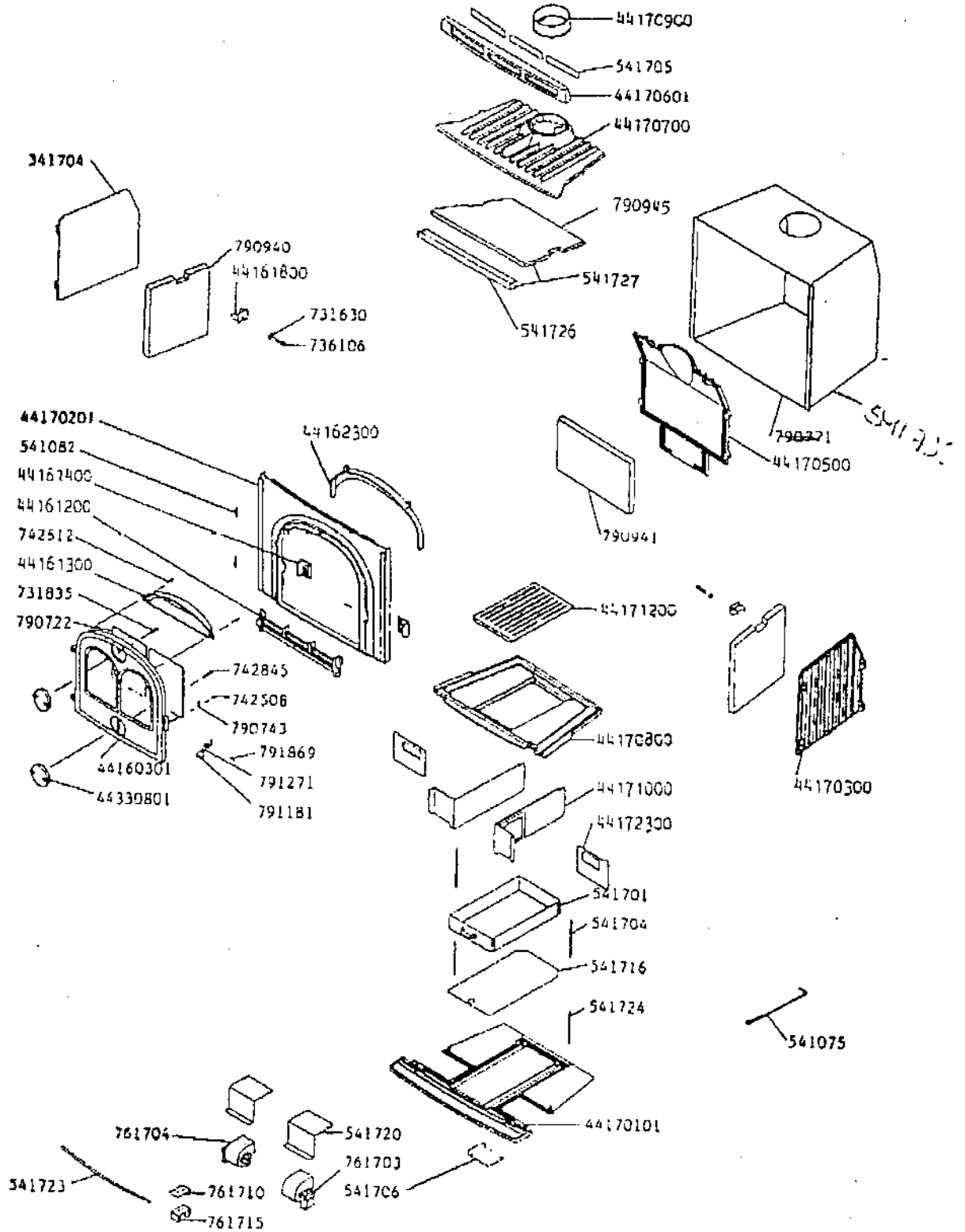
64160021



- Topplade - komplet.....541639
- Topplate - complete
- Dør komplet.....541631
- Door - complete

Revision	Sign.	Date	Titel:	Sign.	Date:
			1600	RS	28.04.97
				Tegn. form.:	betshold
				A4	-
				Værktøjsnr.:	6416002
				Udført af:	1600 500

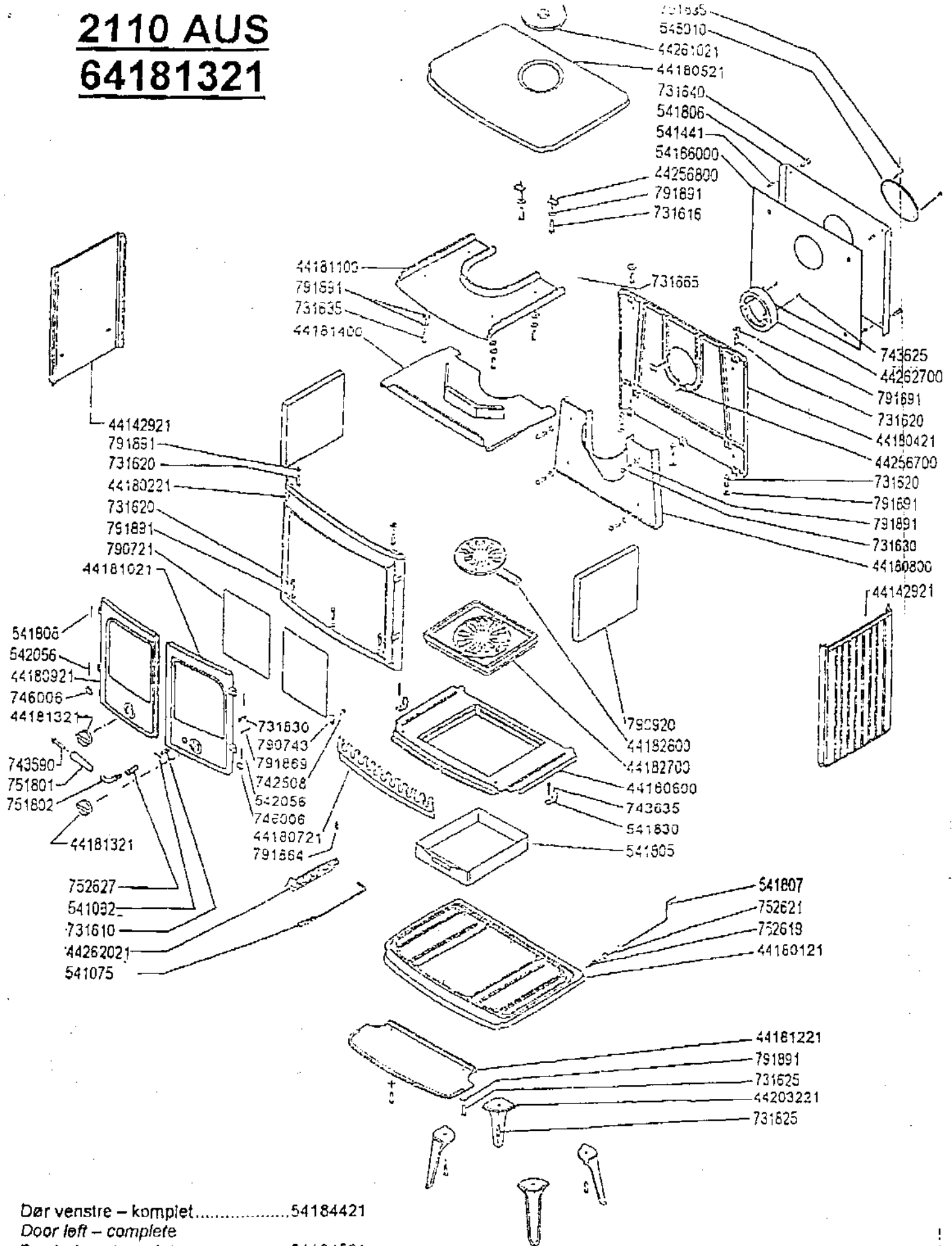
1710 - 64171121



Dør, sort - komplet541601
 Door, black - complete

2110 AUS

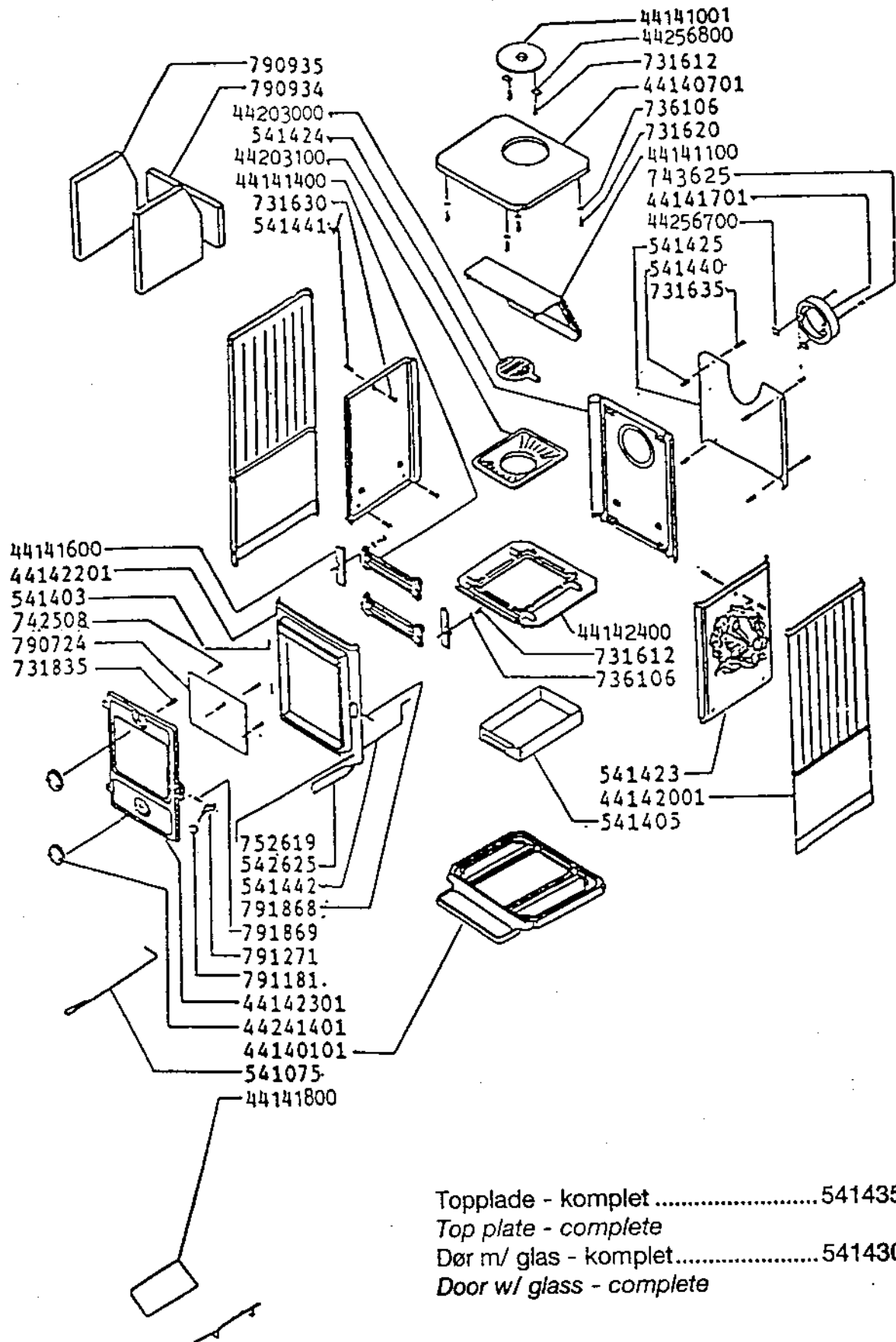
64181321



- Dør venstre – komplet 54184421
- Door left – complete
- Dør højre – komplet 54184521
- Door right – complete
- Topplade – komplet 541833
- Top plate - complete
- Rysehåndtag - komplet 542625
- Ridling arm – complete

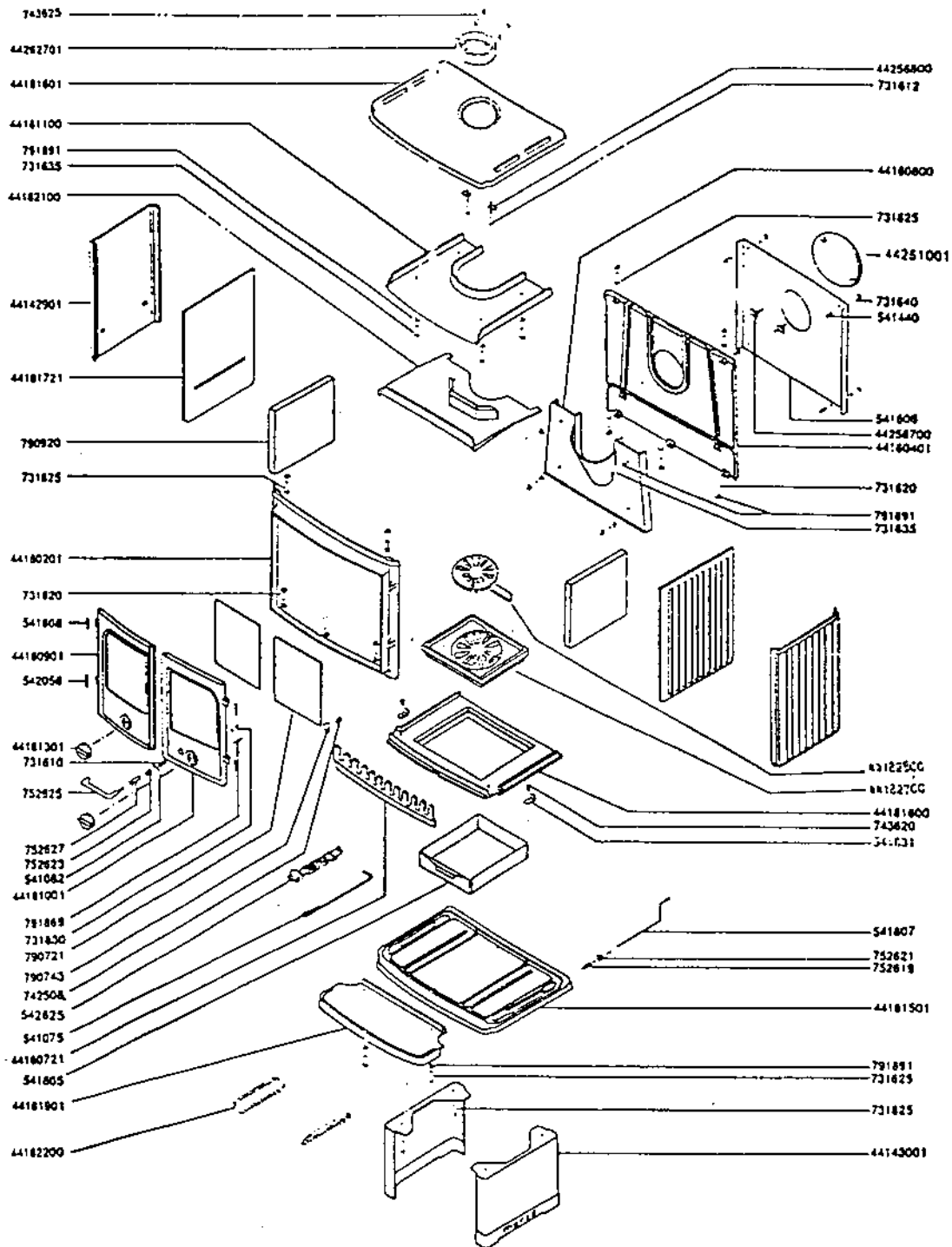
Rev.	Revision	Sign.	Dato	Titel:	Sign.:	Dato:
				2110 AUS	KDU	24.05.98
					Tegn. form.:	Miljøarkiv
					A4	
					Varenummer:	64181321
					Tegningnummer:	2100-31310

1440 - 64144001



- Topplade - komplet 541435
- Top plate - complete
- Dør m/ glas - komplet..... 541430
- Door w/ glass - complete

2140 - 64184001



- Venstre dør - komplet.....541801
- Left door - complete
- Højre dør - komplet541802
- (excl. håndtag)
- Right door - complete
- (excl. of handle
- Topplade - komplet541816
- Top plate - complete

