

**BIOBURN –
CLEAN BURNING WOOD HEATERS**

Kemlan
The Choice is Clear




Clean Burning Slow Combustion Heaters



Make your **Kemlan Super Nova** Insert the centrepiece of your home

With Kemlan the choices are endless in creating a beautiful centrepiece, all you have to do is fire your imagination. Include a four sided stainless steel or black trim or choose from our range of modern or olde style mantelpieces and fascias. Not only does the Super Nova provide a stunning feature it also offers impressive efficiency of 63% with an average peak output of 14.9kw per 2.4kg/hr wood consumption. Kemlan heaters burn safely with the flame behind a strong ceramic glass door. The glass door remains clean throughout the life of the fire by an advanced airwash system designed within the firebox.



Super Nova Insert with Standard Front



Super Nova Insert with Cast Iron Fascia and Richmond Mantel

Convert your existing fireplace to the unrivalled efficiency of a **Super Nova Insert**

A Super Nova Insert (Versatile) offers the ultimate in versatility with an adjustable depth - as shallow as 300mm and a 45 degree back and flue outlet which allows for various flue positions. Increase the efficiency of your open brick fireplace by five times.

Specifications: Super Nova Insert RF - (standard fascia / cast iron fascia)

#A (mm)	#B (mm)	C (mm)	D (std./c.iron)	E (std./c.iron)	F (mm)	G (mm)	kW**	% Eff.	Fuel Consumption*(kg/hr)	Weight
800	1000	640	420 / 470	230 / 280	660	660	14.5	63	2.4kg/hr	128kg

#Note - Standard fascia only. Cast iron fascia sizes vary due to design and style. A fan must be installed if a timber mantle is used.
Flue Size - 150mm.

Specifications: Super Nova Insert (Versatile) - (standard fascia / cast iron fascia)

#A (mm)	#B (mm)	C (mm)	D (std./c.iron)	E (std./c.iron)	F (mm)	G (mm)	kW**	% Eff.	Fuel Consumption*(kg/hr)	Weight
735	900	595	455	285	625	625	11.9	62	1.6kg/hr	120kg

A Kemlan Coupe See-Through Wood Heater is an impressive feature in any home



Kemlan Coupe Inbuilt a stylish room divider or a feature between two rooms.



The Kemlan Coupe Freestander is the perfect solution to heating large open plan areas, optional colours are available.



The Kemlan Coupe Wall Penetration is a unique concept in modern wood heating.

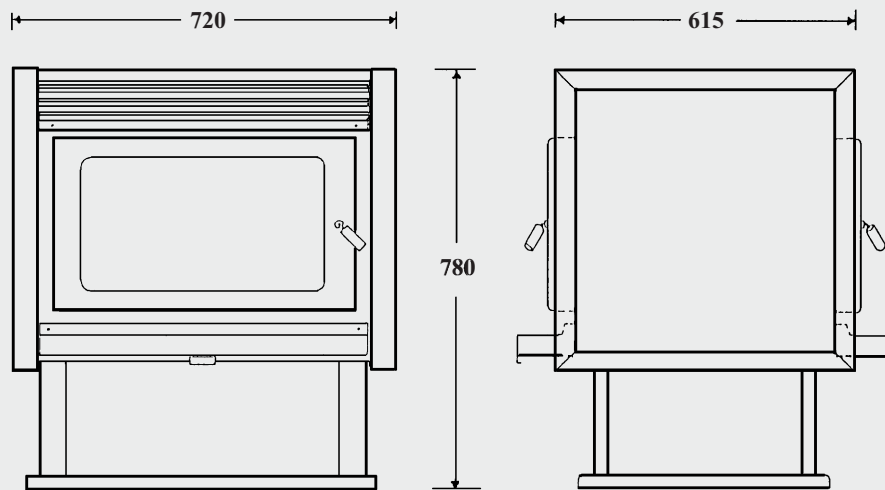
Spoilt for Choice

A Kemlan Coupe gives you the options of freestanding, inbuilt or wall penetration models. Either way a Kemlan Coupe will be a unique feature in any room.

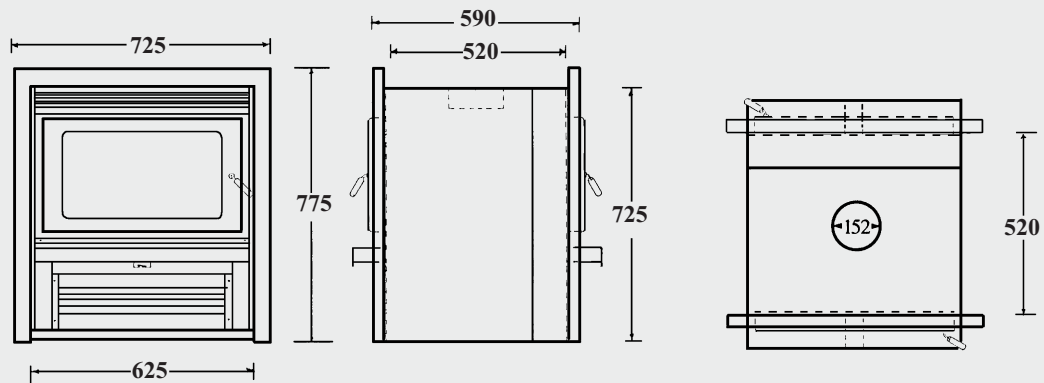
The Kemlan Coupe burns safely, with the flame behind two large, strong glass ceramic viewing areas. The glass ceramic remains clean throughout the life of the fire by an advanced airwash system.

The fully shielded firebox incorporates a two-way natural convection system. This system allows warmth to be evenly distributed between two rooms. An optional two-speed fan is available to increase circulation by fan forced convection. During operation the emission output will be kept at an environmentally friendly level as the Coupe passes the strict clean air standard AS/NZS 4012/4013.

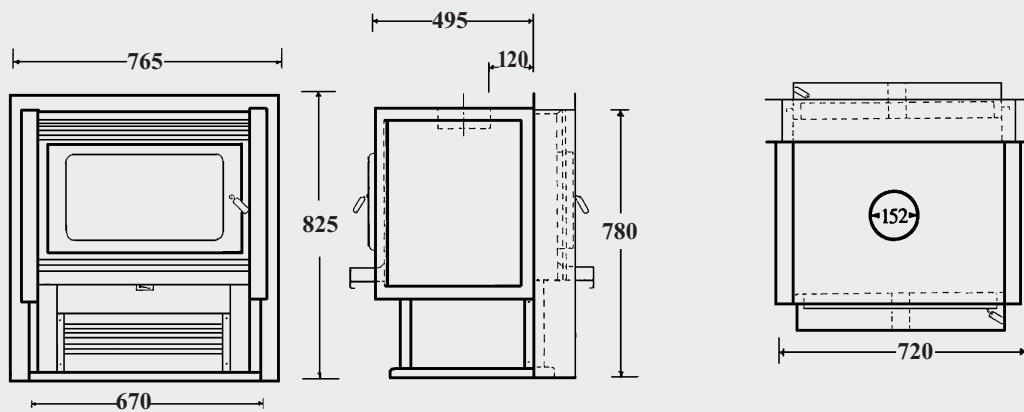
The Coupe is tested to AS/NSW 2918 for safety clearances to heat sensitive materials.



Coupe Freestanding



Coupe Inbuilt



Coupe Wall Penetration

C24 The hottest thing in wood heater technology



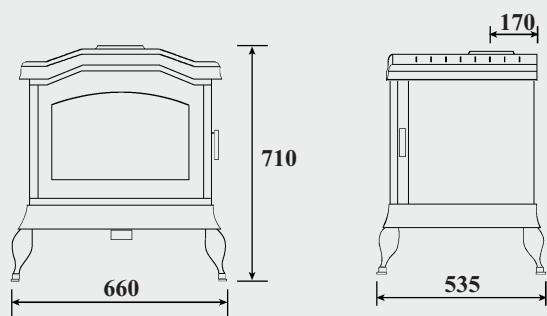
C24 Classic (dimensions not shown)

The robust cast iron top features a large flat cooking area. Steady, controllable heat will allow the cooktop to reach temperatures up to and around 200°C, perfect for cooking, warming or steaming. The C24 incorporates superheat ceramic baffle technology. Modern day ceramic refractory, similar to that used on space ships has the ability to eliminate heat loss up the flue and retain heat in the firebox, ensuring extra heat in the room. Secondary air is added just below the baffle. Fumes are burnt due to the high ignition temperature, allowing a remarkable average of only 1.4 gms/kg of wood burnt. The allowable Australian standard is 4.0 gms/kg. The C24 achieves an efficiency of 68% on high burn and a remarkable 74% on low burn. The efficiencies in past designs have been compromised, but in the case of the C24 efficiencies are generally 8-10% more efficient than most other wood heaters on the market.

Construction

8-10mm cast iron top convection chamber, base and legs
6mm heavy duty steel firebox - fully welded 25mm thick
firebrick lined floor

Overall Dimensions



C24



Super Nova Freestander in Pewter



Super Nova Freestander in Metallic Brown

Super Nova Freestanding a contemporary slow combustion wood heater

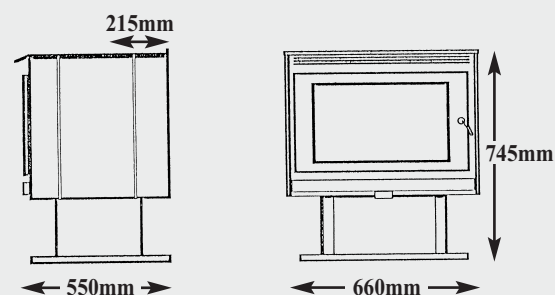
The Kemlan Super Nova is a contemporary heater which will be a stylish feature in your home. This heavy duty heater is an outstanding choice for larger home heating requirements. With its easy to load firebox, the Super Nova provides maximum warmth with a minimum of effort.

The fully shielded firebox incorporates a natural convection system. This system allows warmth to circulate throughout your home. An optional 3 speed fan is available to increase circulation by fan forced convection.

During operation the emission output will be kept at an environmentally friendly level as the Super Nova passes the strict clean air standard AS/NZS 4012/4013.

Kemlan offers you flexibility in your choice of colours. The Super Nova is available in four standard colours: Satin Black, Charcoal, Golden Fire Brown and Metallic Moss Green or four special colours: these are Metallic Brown, Pewter, Metallic Blue and Forrest Green. Consult your local distributor for the pricing details and availability of the colour you choose.

Relax in comfort with a Super Nova Freestanding warming your home.



Kemlan Tempo Stack

stylish new concept in
slow combustion
heating

The raised firebox provides an uninterrupted view of the fire burning and allows usable space under the firebox. The slim nature allows the fireplace to be placed in almost any position taking up very little space. Placing a log into the fire has never been easier with no bending down required. A perfect feature and heater added simply to any home,

Robust, 6mm welded firebox.

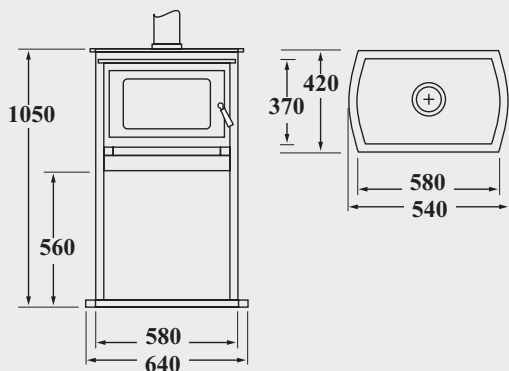
Simple, one easy slide control.

Safety tested to Australian Standards

AS/NZS2918 and AS/NZ4013.

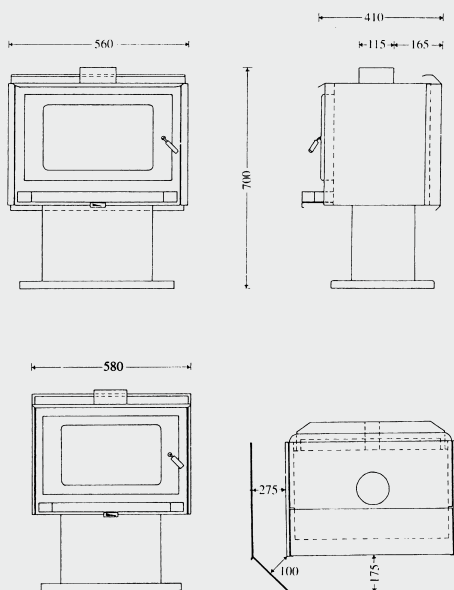
Efficient, high heat output.

Long lasting, with a 10 year warranty.



Tempo LE a compact wood heater with a surprising heat output (up to 140 sq m)

The Tempo Series is a modern efficient replacement for the pot belly stove and is designed to heat an area of up to 140 sq m (15 squares).



Two models are available, the Tempo 1 with rear heat shield and the Tempo 3 with side panels and double rear heat shield.

The Tempo features robust 6mm welded steel firebox with firebrick lined floor and a useable cooktop.

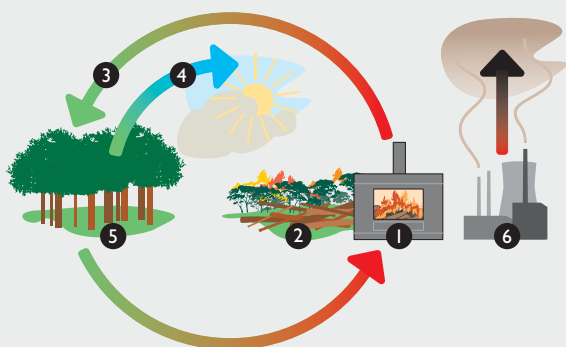
Bioburn Fires warm your home without warming the planet

Did you know that by using sustainably harvested firewood to heat your home and burning wood in the Kemlan Bioburn range of heaters can help to reduce Australia's greenhouse gas emissions?

A recent report from the Australian Greenhouse Office has found that burning wood supplied by reputable sustainable wood suppliers and burning this product in approved AS 4013 heaters such as the Kemlan Bioburn range of heaters is better for the environment than all other sources of home heating energy such as fossil fuel generated electricity, oil and gas.

The report states "sustainable firewood production systems have the potential to reduce carbon dioxide emissions". This is because in sustainably managed forests, growing trees absorb the same amount of carbon dioxide that is released when firewood is burnt.

Kemlan Industries Pty Ltd fully support the Firewood Association of Australia (www.firewood.asn.au) which has been formed with the sole purpose of establishing ethical, and sustainable accredited firewood merchants to supply timber that will contribute positively to the environment.



- 1: Burning wood in a Kemlan Bioburn slow combustion wood heater produces efficient home heating energy
- 2: CO₂ is created by burning wood in fireplaces, bush fires and decomposition. Energy is wasted when wood is burnt in bush fires or decomposes.
- 3: CO₂ is absorbed by trees when growing
- 4: O₂ is released into the atmosphere resulting in reduced greenhouse gas emissions
- 5: Kemlan supports the Firewood Association of Australia. Firewood merchants accredited by the F.A.A are able to supply sustainable dry fuel for use in efficient approved fireplaces. Use of sustainable dry fuel will not cause adverse air quality
- 6: Burning fossil fuels such as coal fired electricity, oil and gas adds to greenhouse gas emissions

“ONE OF THE BEST WAYS TO ADDRESS CLIMATE CHANGE IS TO USE MORE WOOD NOT LESS. WOOD IS SIMPLY THE MOST ABUNDANT BIODEGRADABLE AND REUSABLE MATERIAL ON THE PLANET.”

PATRICK MOORE , CO FOUNDER OF GREENPEACE, WASHINGTON TIMES JANUARY 2006

Model No.	Burn Rate	Burn Rate			Peak Output	Heat Capacity	Average Emission	% Efficiency	Weight	Glass
		High	Med	Low						
C24	Av. Heat Kw Output	11.6	9.3	7.0	16Kw	200-250m ²	1.4g/kg	68%	192kg	445x220mm
	Fuel Cons. (kg/hr)	3.4	2.6	1.8						
Super Nova Freestander	Av. Heat Kw Output	13.4	7.6	4.7	16.4Kw	170-240m ²	3.6g/kg	63%	136kg	450x250mm
	Fuel Cons. (kg/hr)	4.2	2.3	1.3						
Super Nova Insert RF	Av. Heat Kw Output	N/A	N/A	N/A	14.9Kw	150-200m ²	3.6g/kg	63%	128kg	450x250mm
Versatile	Fuel Cons. (kg/hr)	N/A	N/A	N/A	11.9Kw					400x200mm
Coupe Series	Av. Heat Kw Output	9.9	5.8	4.7	14.6Kw	170-240m ²	4.0g/kg	N/A	168kg	450x250mm
	Fuel Cons. (kg/hr)	3.6	1.9	1.4						
Tempo Series	Av. Heat Kw Output	8	4	2.9	N/A	140m ²	4.0g/kg	N/A	92kg	350x200mm
	Fuel Cons. (kg/hr)	2.6	1.1	0.7						

All units 6mm welded heavy duty with fire brick lined floor and 6mm steel baffle plate.

Your local Kemlan Agent is



Kemlan Industries, a subsidiary of Jetmaster Fireplaces Aust P/L.