

Glass Hearth Approval for Neo 1.6 & Neo 2.5 Freestanding Wood Heaters

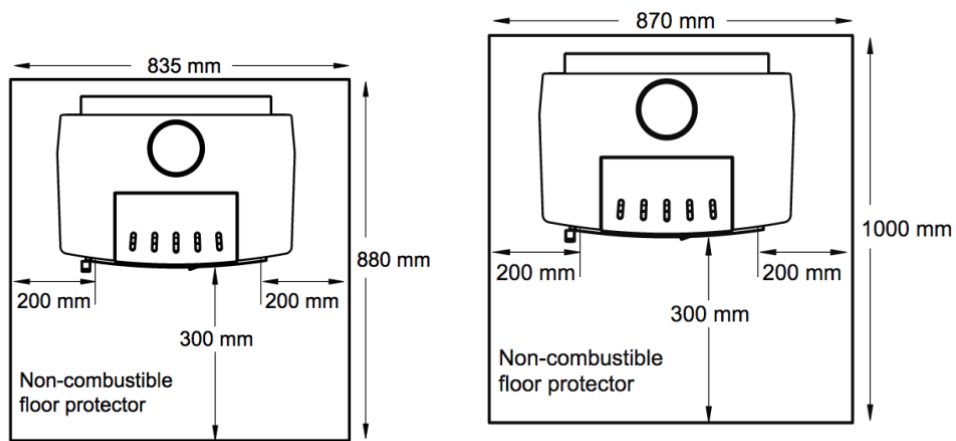


Figure 5. Neo 1.6 Floor protection.

Figure 5. Neo 2.5 Floor protection

The Neo 1.6 and 2.5 Free Standing wood heaters have been tested to AS/NZS2918 and approved for glass hearths with a minimum thickness of 9mm: Tempered construction

The Protection must be as follows

- Extends 300mm from the glass door
- Extend 200mm each side of the glass door