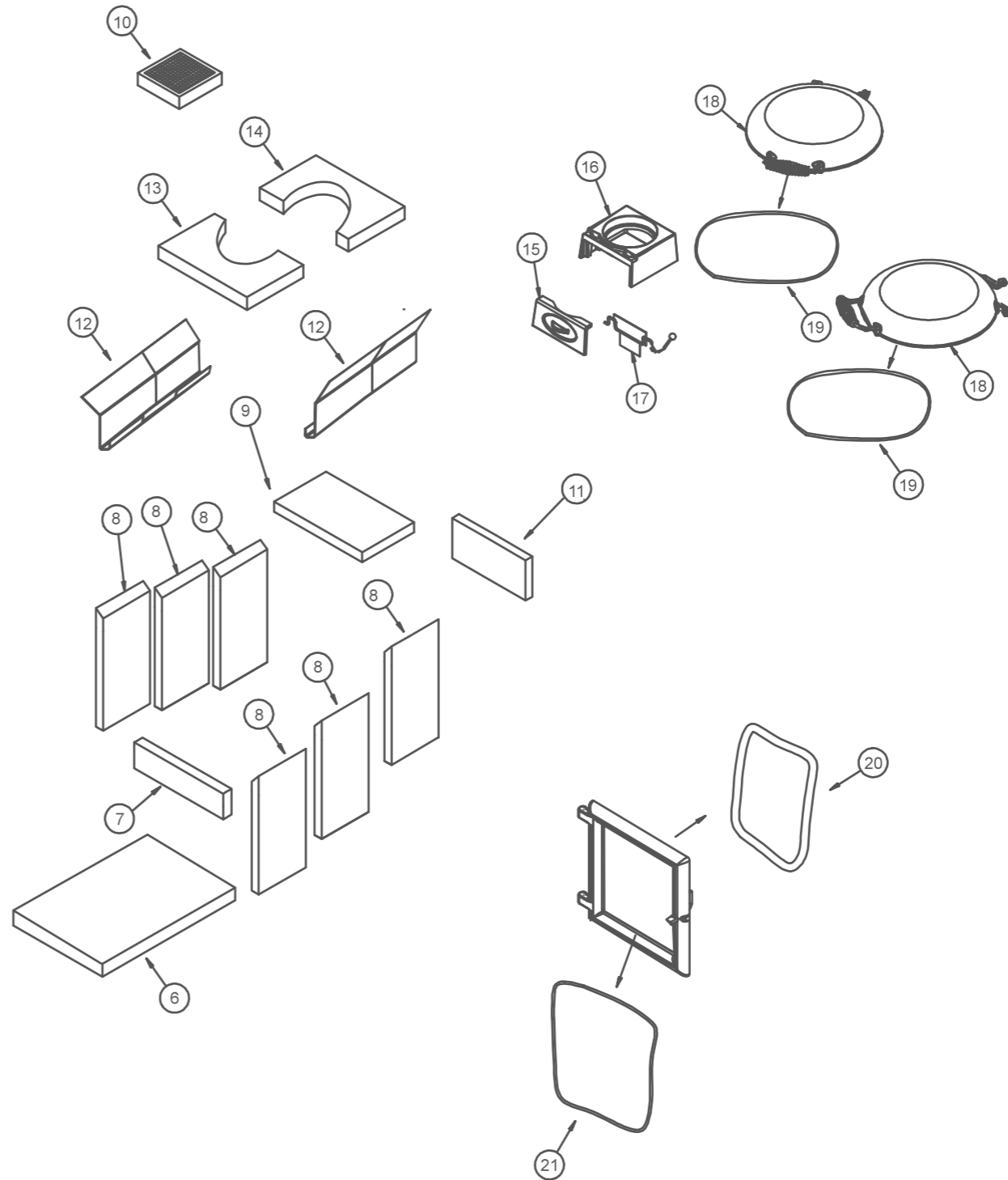
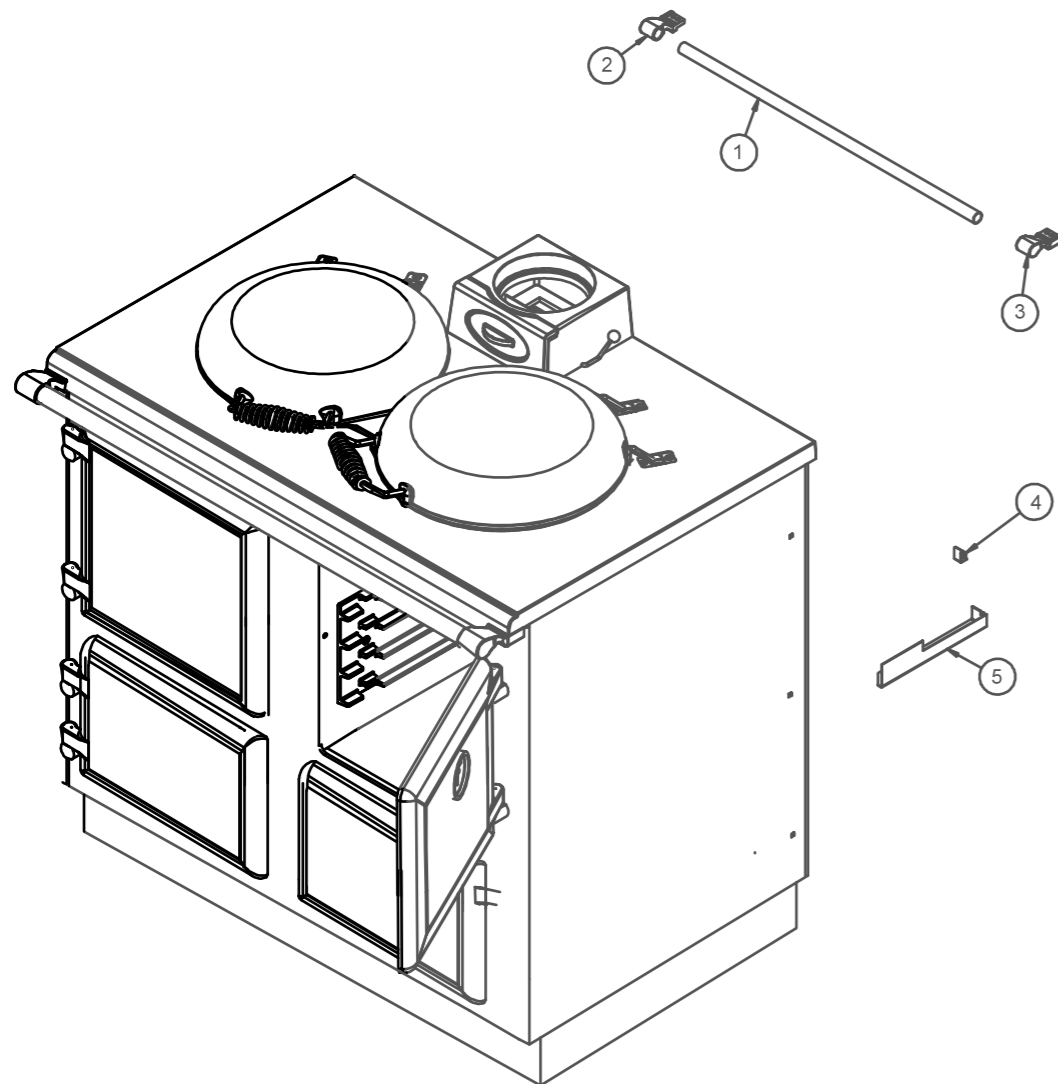


ESSE 990 WD (wet)

| ITEM NO. | PART NUMBER | DESCRIPTION | ON HAND |
|----------|-----------------------------|--------------------------|---------|
| 1 | SP EsseTowelrail SS990 | Towelrail | |
| 2 | SP EsseTowelRailEndChrLH | Cast Towel Rail BOSS L/H | |
| 3 | SP EsseTowelRailEndChrRH | Cast Towel Rail BOSS R/H | |
| 4 | SP EW-035-B | Flue Restrictor Guide | |
| 5 | SP Bolster Assembly 2 | Damper Guide | |
| 6 | SP EsseFB500/990Base | Base Brick | |
| 7 | SP EsseFB 500/990Frt | Front Brick | |
| 8 | SP Esse 990/500SideRH/LH | Side Brick | |
| 9 | SP Esse990/500 Baffle | Top Baffle | |
| 10 | SP EsseSeconCombustGrid | Cat After Burner | |
| 11 | SP EsseFB990/500Rear WD | Rear Brick (WD) | |
| 12 | SP EsseBaffleBracket990/500 | Baffle Support Bracket | |
| 13 | SP EsseFB990/500TopRear | Top Rear Brick | |
| 14 | SP EsseFB990/500TopFrt | Top Front Brick | |
| 15 | SP EsseFlueBoxDoor | Esse Flue Box Door | |
| 16 | SP EsseFlueBox990/905 | Esse Flue Box | |
| 17 | SP EsseFlueDamperWD | Flue Damper | |
| 18 | SP EsseBolserArmBush | Hot Plate Handle | |
| 19 | SP EsseHotPlateRopeGry | Bolster Rope Grey Mesh | |
| 20 | MN GS25 | Glass Seal 25mm | |
| 21 | MN DS15 | Door Seal 15mm | |



Notes:

Pivot Stove and Heating

Esse 990 WD

Project Number N/A

Date 22/10/16

Drawn By Pivot Hydraulics

Checked By Pivot Hydraulics

A- 3.00

REV -

Sheet Number 3

NOT TO SCALE

PIVOT STOVE & HEATING
HEATING SPECIALIST SINCE 1876
Hydronic Systems