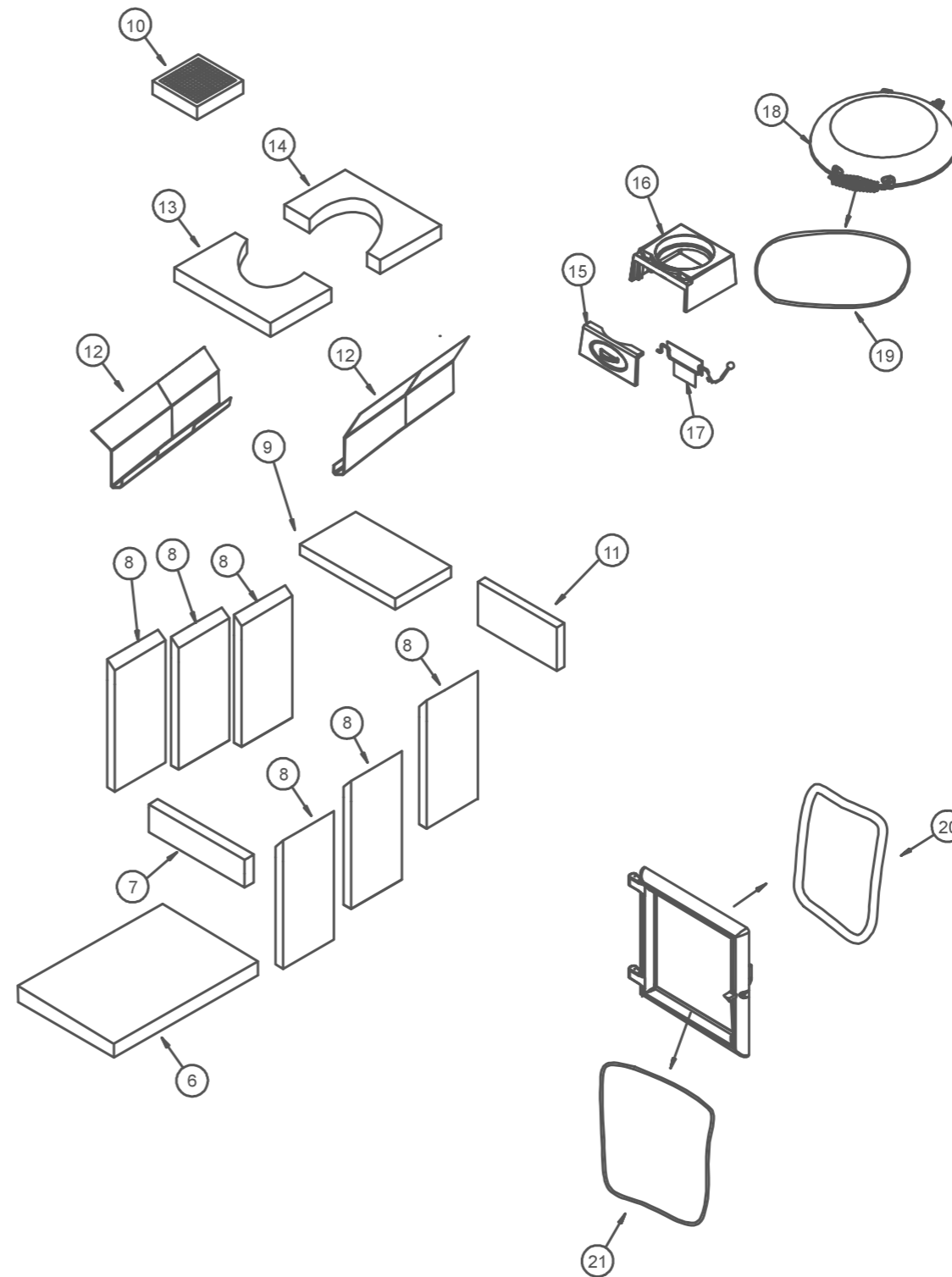
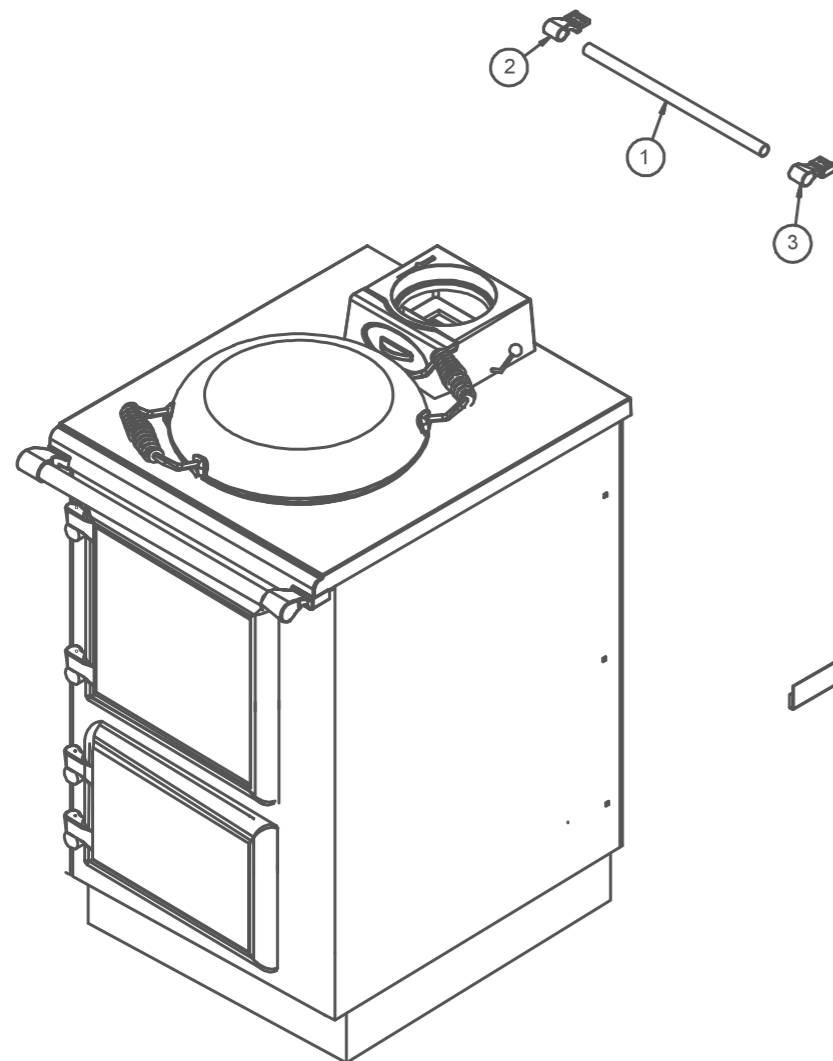


ESSE 500 WD (wet)

ITEM NO.	PART NUMBER	DESCRIPTION	ON HAND
1	SP EsseTowelrail SS990	Towelrail	
2	SP EsseTowelRailEndChrLH	Cast Towel Rail BOSS L/H	
3	SP EsseTowelRailEndChrRH	Cast Towel Rail BOSS R/H	
4	SP EW-035-B	Flue Restrictor Guide	
5	SP Bolster Assembly 2	Damper Guide	
6	SP EsseFB500/990Base	Base Brick	
7	SP EsseFB 500/990Frt	Front Brick	
8	SP Esse 990/500SideRH/LH	Side Brick	
9	SP Esse990/500 Baffle	Top Baffle	
10	SP EsseSeconCombustGrid	Cat After Burner	
11	SP EsseFB990/500Rear WD	Rear Brick (WD)	
12	SP EsseBaffleBracket990/500	Baffle Support Bracket	
13	SP EsseFB990/500TopRear	Top Rear Brick	
14	SP EsseFB990/500TopFrt	Top Front Brick	
15	SP EsseFlueBoxDoor	Esse Flue Box Door	
16	SP EsseFlueBox990/905	Esse Flue Box	
17	SP EsseFlueDamperWD	Flue Damper	
18	SP EsseBolserArmBush	Hot Plate Handle	
19	SP EsseHotPlateRopeGry	Bolster Rope Grey Mesh	
20	MN GS25	Glass Seal 25mm	
21	MN DS15	Door Seal 15mm	



Notes:

Pivot Stove and Heating

Esse 500 WD

Project Number N/A

Date 22/10/16

Drawn By Pivot Hydraulics

Checked By Pivot Hydraulics

A- 5.00

REV -

Sheet Number 5

NOT TO SCALE

PIVOT STOVE & HEATING
HEATING SPECIALIST SINCE 1876
Hydronic Systems